

## Concealed single lever shower valve CONCEALED\_ZB002300

MODEL **ZB002300**

Concealed part for 2-outlet mixer, 1/2" Concealed shower mixer, Without trim kit



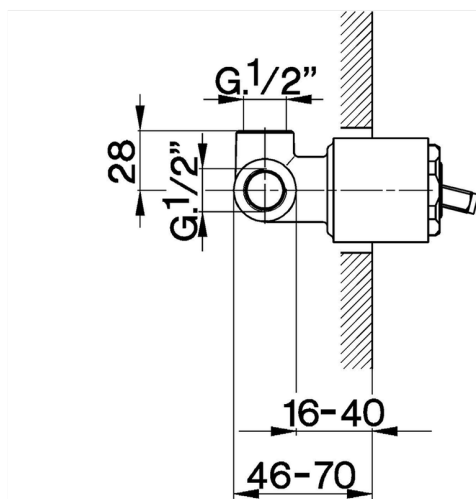
AVAILABLE FINISHINGS



**04** 04 Without finishing

CHARACTERISTICS

Concealed **1**  
 Cartridge Spare Parts **ZZ92909000**  
**43 mm Cartridge**



2024-12-19