

## Exposed simple tap EVA\_EV001430

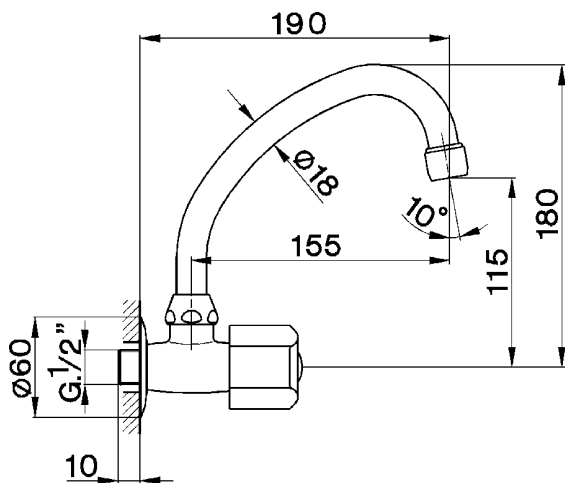
MODEL **EV001430**

Exposed simple tap, without handle

AVAILABLE FINISHINGS



CHARACTERISTICS



2026-06-13