


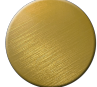


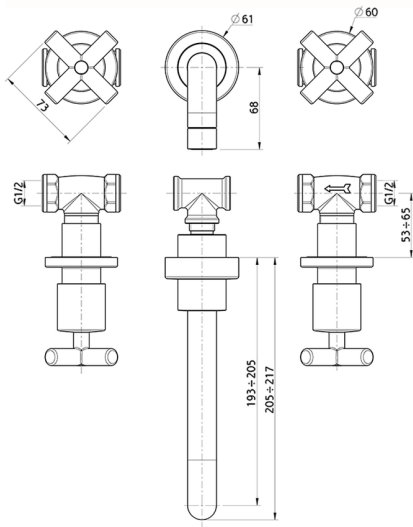
Washbasin 3-holes mixer SUITE_SU003510

MODEL **SU003510**

Washbasin 3-holes mixer, without waste

AVAILABLE FINISHINGS

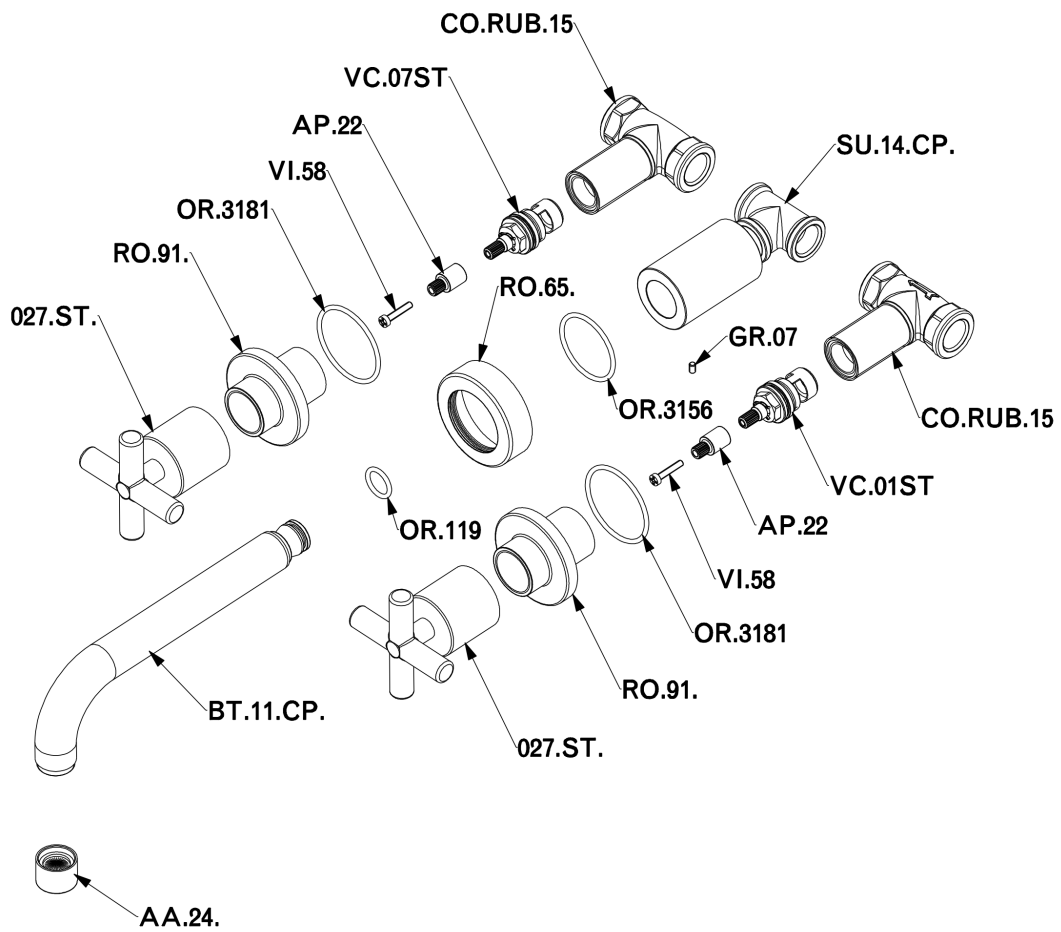
-  **21** 21 Chrome
-  **40** 40 Matt Black
-  **2F** 2F Brushed Nickel
-  **2W** 2W Brushed Gold



CHARACTERISTICS



Washbasin 3-holes mixer SUITE_SU003510



SU003510

<https://en.huberitalia.com/washbasin-3-holes-mixer-suite-su003510>

2026-04-09