

Exposed part for 3-outlet con.thermo.shower valve THERMO_DD018200



MODEL **DD018200**

Exposed part for 3-outlet thermostatic mixer, with 3 outlet diverter, without concealed part, for item ZB018201

AVAILABLE FINISHINGS

-  **21** 21 Chrome
-  **2B** 2B Polished Nickel
-  **2F** 2F Brushed Nickel
-  **40** 40 Matt Black
-  **4Q** 4Q Matt White



CHARACTERISTICS

Installation **Concealed**
 Required concealed parts **ZB018201**



Thermostatic

The Huber thermostatic is your personal water manager, helping you to handle, control and save water and energy.



Exposed part for 3-outlet con.thermo.shower valve THERMO_DD018200



DD018200

<https://en.huberitalia.com/exposed-part-for-3-outlet-con-thermo-shower-valve-thermo-dd018200>

3-outlet Concealed thermostatic shower valve CONCEALED_ZB018201

MODEL **ZB018201**

3-Outlet Concealed thermostatic mixer, with 3-outlet diverter, without trim kit

AVAILABLE FINISHINGS



04 04 Without finishing

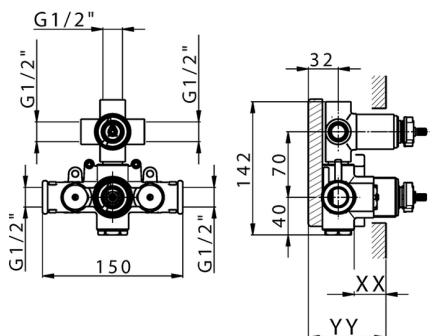
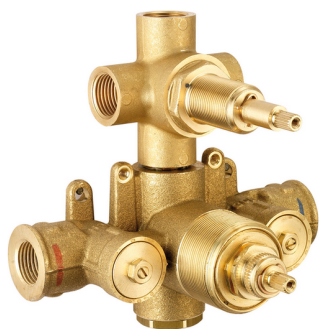
CHARACTERISTICS

Installation **Concealed**

Cartridge Spare Parts **24.04A.PP**

8x20 Plus P Thermostatic Valve

Concealed **1**



Piastra/Plate/Plaque/Platte/Placa

2-3mm: XX 25-40 YY 76-91

10 mm: XX 16-31 YY 65-80



DeviaStop

The Huber Devia Stop technology allows to adjust the water flow and to direct it to the selected output point (overhead soaker, hand shower, etc).



Thermostatic

The Huber thermostatic is your personal water manager, helping you to handle, control and save water and energy.



2026-04-09