

Concealed stop valve COMPONENTS_ZB000310

MODEL **ZB000310**

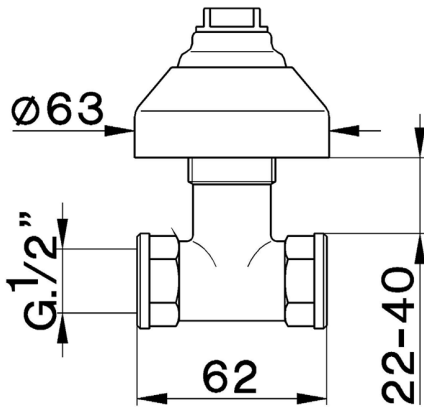
Concealed stop valve, 1/2" F outlet

AVAILABLE FINISHINGS



CHARACTERISTICS

Installation **Concealed**



2024-11-15