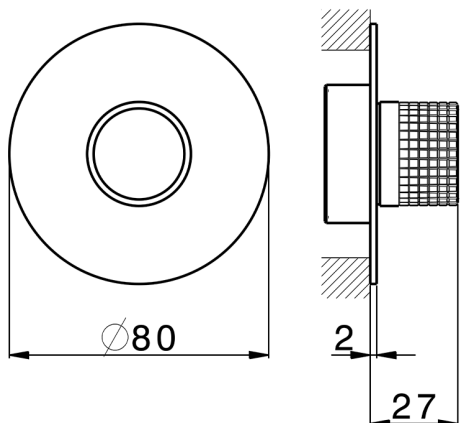
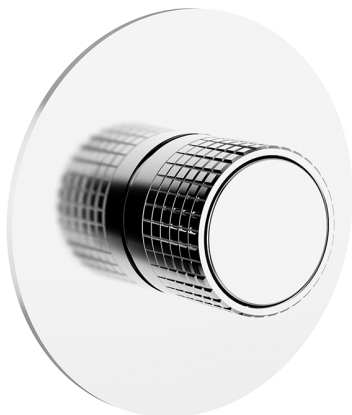


## Exposed part for individual Push&Shower PUSH&SHOWER\_PS0G6120



MODEL **PS0G6120**

Exposed part for individual Push&Shower, with checkered button, Ø80mm round plate, for concealed Push&Shower

### AVAILABLE FINISHINGS

-  **21** 21 Chrome
-  **24** 24 Gold
-  **26** 26 Old Copper
-  **2B** 2B Polished Nickel
-  **2F** 2F Brushed Nickel
-  **2W** 2W Brushed Gold
-  **3W** 3W Brushed Black Titanium
-  **5G** 5G Rose Gold
-  **40** 40 Matt Black



### Thermostatic

The Huber thermostatic is your personal water manager, helping you to handle, control and save water and energy.

### CHARACTERISTICS

Installation **Concealed**  
 Required concealed parts **ZB0G6000**



## Parte empotrada Push&Shower PUSH&SHOWER\_ZB0G6000

MODEL **ZB0G6000**

Push&Shower concealed valve, ON/OFF button with flow rate regulation, with protection guard box, to match with Push&Shower exposed part, without exposed part



AVAILABLE FINISHINGS

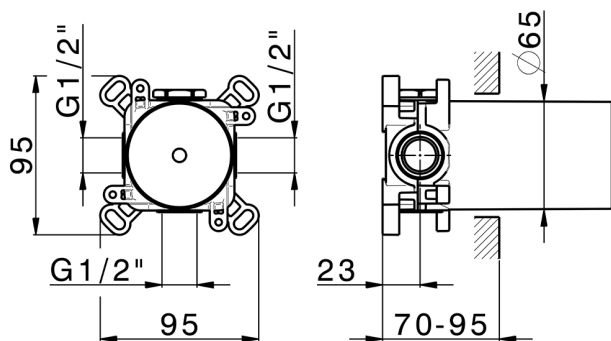


**04** 04 Without finishing

CHARACTERISTICS

**Argo 2 (long filter) Thermostatic Valve**

Concealed **1**



2024-09-19