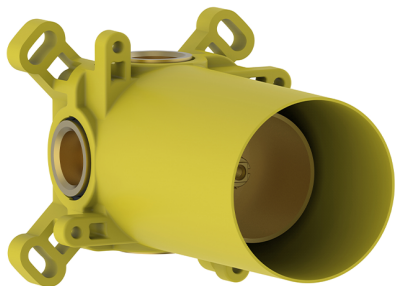


Parte empotrada Push

MODEL **ZB0G6000**

Push&Shower concealed valve, ON/OFF button with flow rate regulation, with protection guard box, to match with Push&Shower exposed part, without exposed part



AVAILABLE FINISHINGS



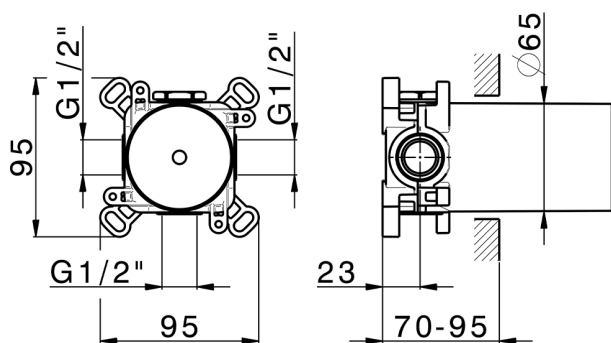
04 04 Without finishing

CHARACTERISTICS

Cartridge Spare Parts **ZZ9F542000**

FSG VC D8 ON/OFF Valve

Concealed **1**



2026-04-10