

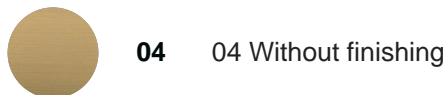
Concealed single lever shower valve CONCEALED_ZB002300

MODEL **ZB002300**

Concealed part for 2-outlet mixer, 1/2" Concealed shower mixer, Without trim kit

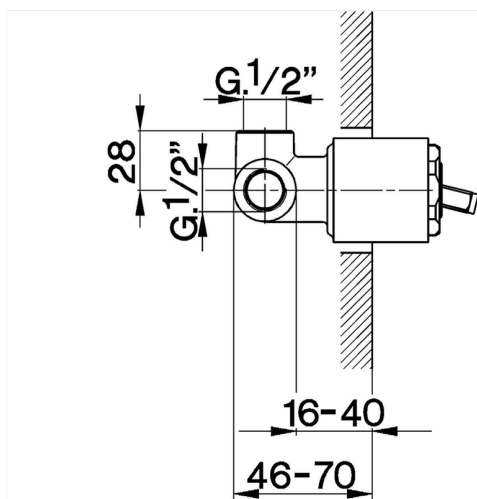


AVAILABLE FINISHINGS



CHARACTERISTICS

| | |
|------------------------|-------------------|
| Installation | Concealed |
| Cartridge Spare Parts | ZZ92909000 |
| 43 mm Cartridge | |
| Concealed | 1 |



2026-05-15