




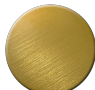
Exposed part for 2-outlet con.thermo.shower valve THERMO_SU018100

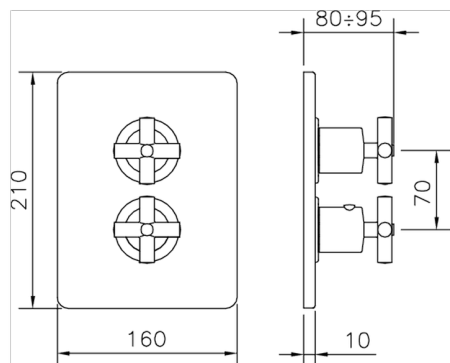


MODEL **SU018100**

Exposed part for 2-outlet thermostatic mixer, with 2-outlet diverter, without concealed part, for item ZB018101

AVAILABLE FINISHINGS

-  **21** 21 Chrome
-  **40** 40 Matt Black
-  **2F** 2F Brushed Nickel
-  **2W** 2W Brushed Gold



CHARACTERISTICS

Installation **Concealed**
 Required concealed parts **ZB018101**

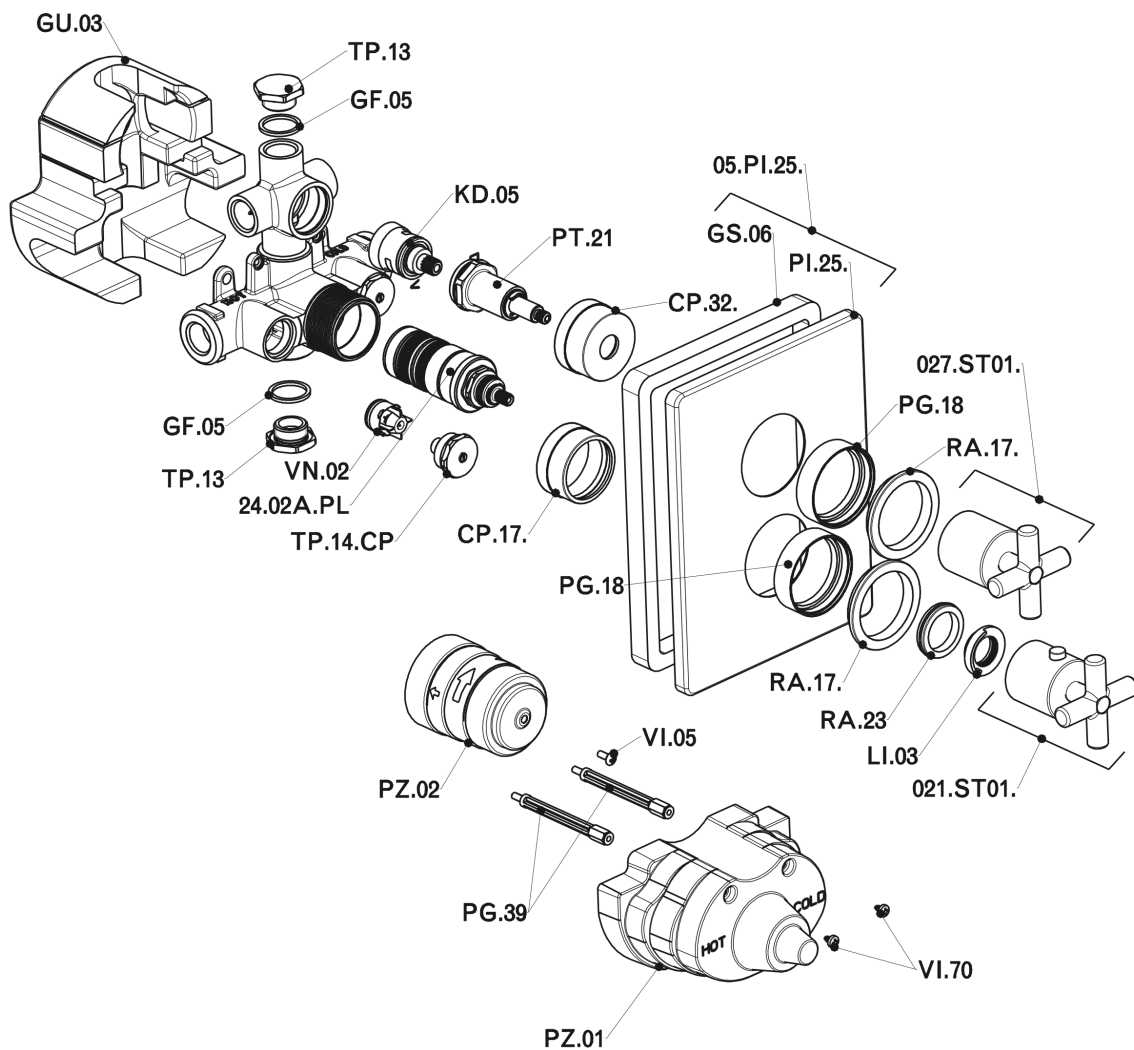


Thermostatic

The Huber thermostatic is your personal water manager, helping you to handle, control and save water and energy.



Exposed part for 2-outlet con.thermo.shower valve THERMO_SU018100



SU018100

<https://en.huberitalia.com/exposed-part-for-2-outlet-con-thermo-shower-valve-thermo-su018100>

2-outlet Concealed thermostatic shower valve CONCEALED_ZB018101

MODEL **ZB018101**

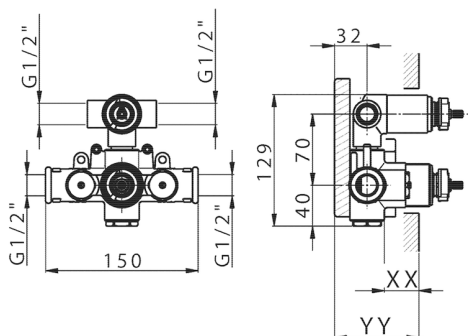
2-outlet Concealed thermostatic mixer, with 2-outlet diverter, without trim kit

AVAILABLE FINISHINGS



CHARACTERISTICS

| | |
|---------------------------------------|------------------|
| Installation | Concealed |
| Cartridge Spare Parts | 24.04A.PP |
| 8x20 Plus P Thermostatic Valve | |
| Concealed | 1 |



Piastra/Plate/Plaque/Platte/Placa

2-3mm: XX 25-40 YY 76-91

10 mm: XX 16-31 YY 65-80



DeviaStop

The Huber Devia Stop technology allows to adjust the water flow and to direct it to the selected output point (overhead soaker, hand shower, etc).



Thermostatic

The Huber thermostatic is your personal water manager, helping you to handle, control and save water and energy.



2024-09-20