




Exposed part for concealed S.L. shower valve **CHRONOS_CR003000**

MODEL **CR003000**

Exposed part for concealed S.L. shower valve, without concealed part, for item ZB005300 - ZB005301



AVAILABLE FINISHINGS

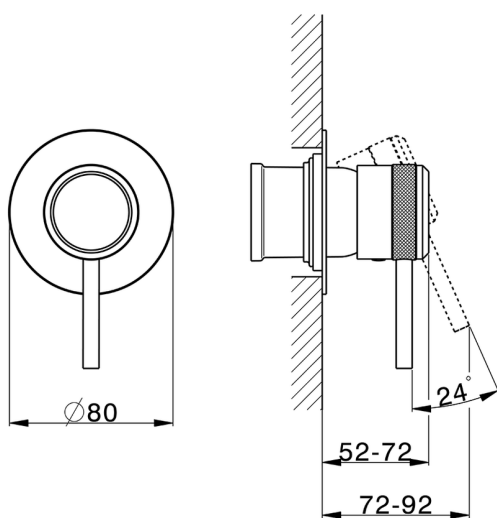
- 
21 21 Chrome
- 
2F 2F Brushed Nickel
- 
2Q 2Q Black Titanium

CHARACTERISTICS

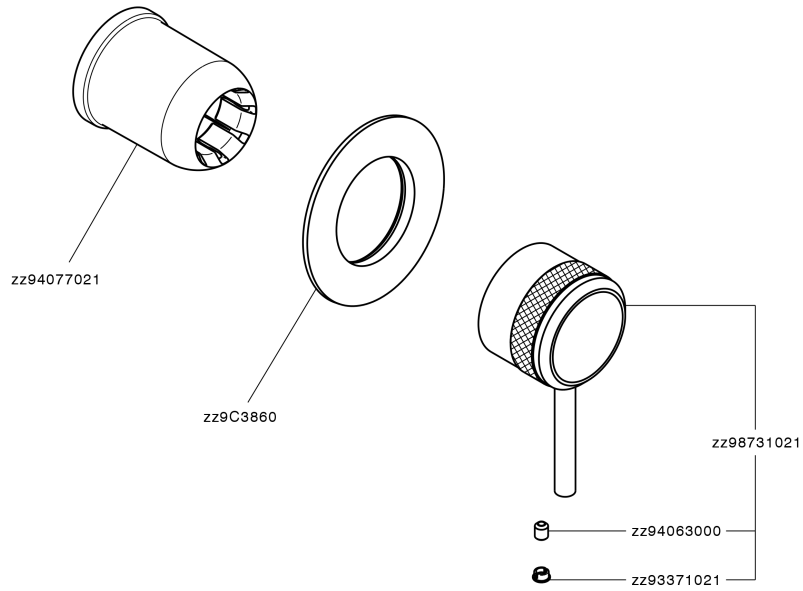
Installation **Concealed**

Required concealed parts **ZB005301**

ZB005300



Exposed part for concealed S.L. shower valve CHRONOS_CR003000



CR003000

<https://en.huberitalia.com/exposed-part-for-concealed-s-l-shower-valve-chronos-cr003000>

Concealed single lever shower mixer CONCEALED_ZB005301



MODEL **ZB005301**

Concealed single lever shower mixer, 1/2" concealed shower, without trim kit, with noise reducers

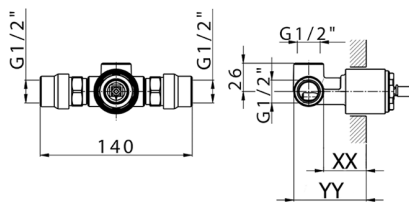
AVAILABLE FINISHINGS



04 04 Without finishing

CHARACTERISTICS

| | |
|------------------------|-------------------|
| Installation | Concealed |
| Cartridge Spare Parts | ZZ94035000 |
| 35 mm Cartridge | |
| Concealed | 1 |



Piastra/Plate/Plaque/Platte/Placa
 2-3mm: XX 27-47 YY 54-74
 10mm: XX 16-40 YY 43-68



Concealed single lever shower valve CONCEALED_ZB005300

MODEL **ZB005300**

Concealed single lever shower valve, 1/2" Concealed shower mixer, without trim kit



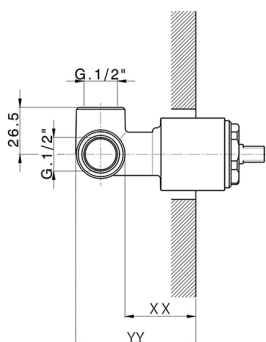
AVAILABLE FINISHINGS



04 04 Without finishing

CHARACTERISTICS

| | |
|------------------------|-------------------|
| Installation | Concealed |
| Cartridge Spare Parts | ZZ94035000 |
| 35 mm Cartridge | |
| Concealed | 1 |



Piastra/Plate/Plaque/Platte/Placa
 2-3mm: XX 27-47 YY 54-74
 10mm: XX 16-40 YY 43-68



2024-11-21