

## Exposed simple tap EVA\_EV001440

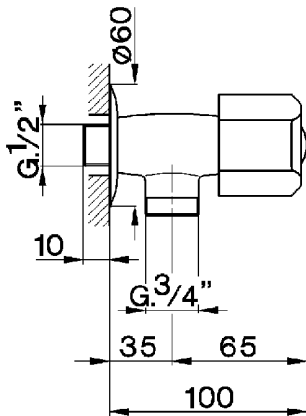
MODEL **EV001440**

Exposed simple tap, without handle, without spout

AVAILABLE FINISHINGS



CHARACTERISTICS



2026-04-06