

Single lever tall washbasin mixer H2_H2003540



MODEL **H2003540**

Single lever tall washbasin mixer, without automatic pop-up waste, G.3/8" stainless steel flexible hoses

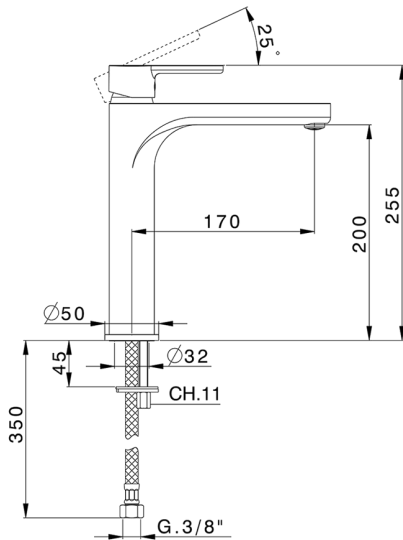
AVAILABLE FINISHINGS



CHARACTERISTICS

Cartridge Spare Parts **ZZ95435000**

35 mm Cartridge



EcoStop

EcoStop feature limits water flow to approximately 50% of maximum output with one point of resistance on setting. Push slightly past the middle stop only when full water output is required. This will save water up to 50%.



2026-06-06