





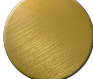
Shower arm with VT-CS showerhead SHOWER_612.03H.

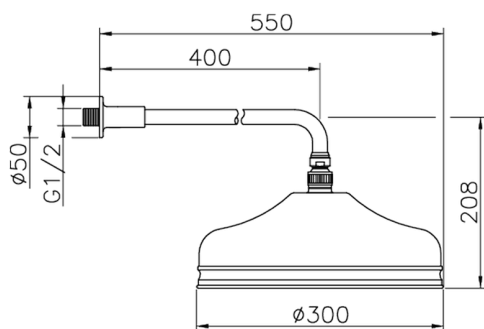
MODEL **612.03H.**

Shower arm with VT-CS showerhead, 300 mm Brass
Round Head Shower, 400 mm Shower Arm



AVAILABLE FINISHINGS

-  **AC** AC Satin Brushed Nickel
-  **AG** AG Antique Gold
-  **BA** BA Old Bronze
-  **CR** CR Chrome
-  **2W** 2W Brushed Gold



CHARACTERISTICS



2026-04-07