

## Spout COMPONENTS\_27.01.

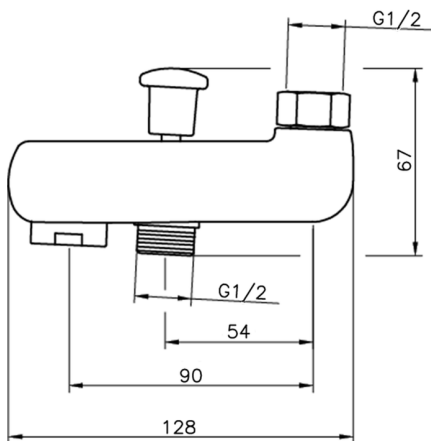
MODEL **27.01.**

Spout

AVAILABLE FINISHINGS



CHARACTERISTICS



2026-06-27