

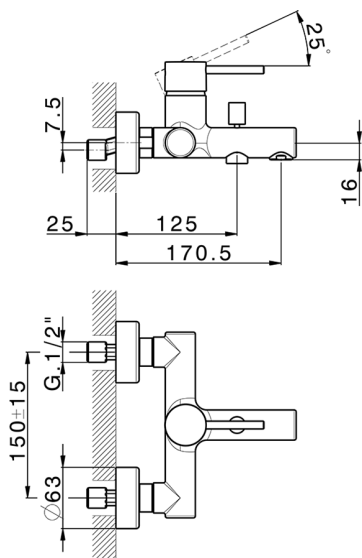
Single lever bath mixer M32_MT000130

MODEL **MT000130**

Single lever bath mixer, without shower set, 1/2" M flexible connection

AVAILABLE FINISHINGS

-  **21** 21 Chrome
-  **26** 26 Old Copper
-  **2F** 2F Brushed Nickel
-  **2W** 2W Brushed Gold
-  **40** 40 Matt Black
-  **4Q** 4Q Matt White



CHARACTERISTICS

Cartridge Spare Parts **ZZ95435000**

35 mm Cartridge

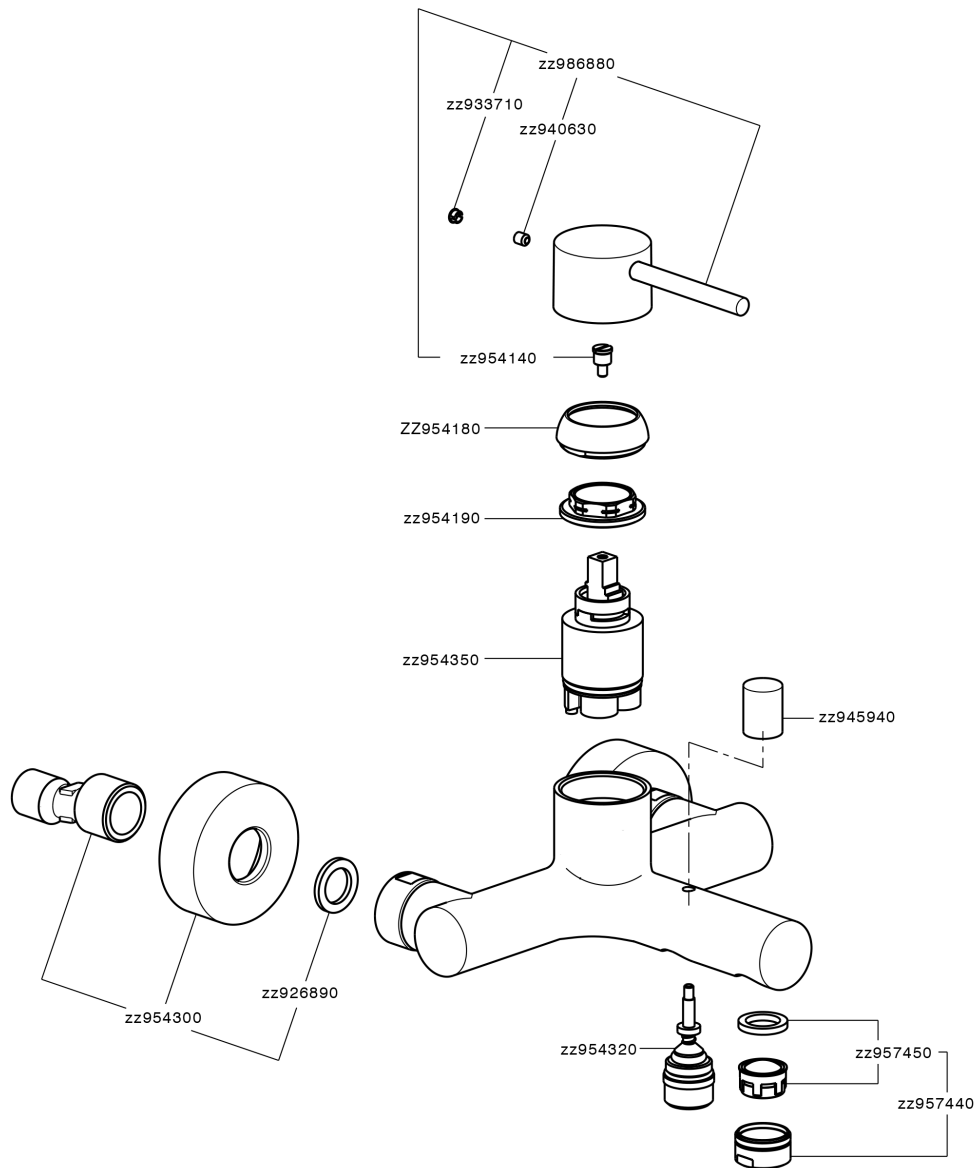


EcoStop

EcoStop feature limits water flow to approximately 50% of maximum output with one point of resistance on setting. Push slightly past the middle stop only when full water output is required. This will save water up to 50%.



Single lever bath mixer M32_MT000130



MT000130

<https://en.huberitalia.com/single-lever-bath-mixer-m32-mt000130>

2026-04-06