

Spout COMPONENTS_27.01.

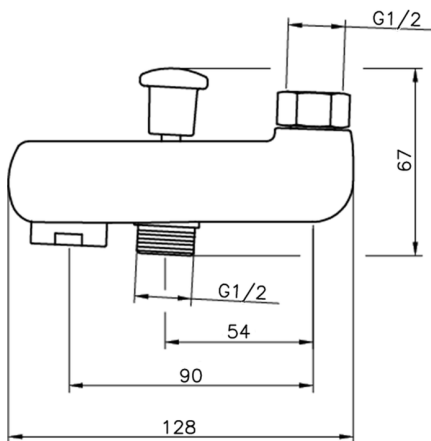
MODEL **27.01.**

Spout

AVAILABLE FINISHINGS



CHARACTERISTICS



2024-12-18