

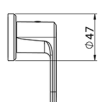
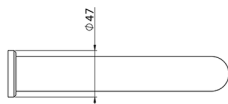
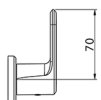
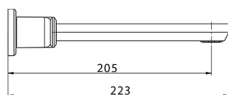
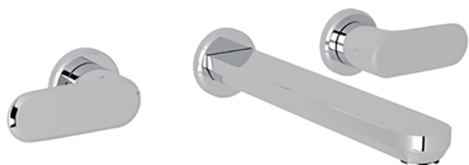
## Exposed part for concealed washbasin mixer LEVITY\_LY013510

MODEL **LY013510**

Exposed part for concealed washbasin mixer, without concealed part, for item ZB033511

### AVAILABLE FINISHINGS

-  **21** 21 Chrome
-  **2B** 2B Polished Nickel
-  **2F** 2F Brushed Nickel
-  **40** 40 Matt Black
-  **4Q** 4Q Matt White



### CHARACTERISTICS

Installation **Concealed**

Required concealed parts **ZB033511**



## Concealed washbasin mixer CONCEALED\_ZB033511

MODEL **ZB033511**

Concealed washbasin mixer, right headvalve - left headvalve

AVAILABLE FINISHINGS

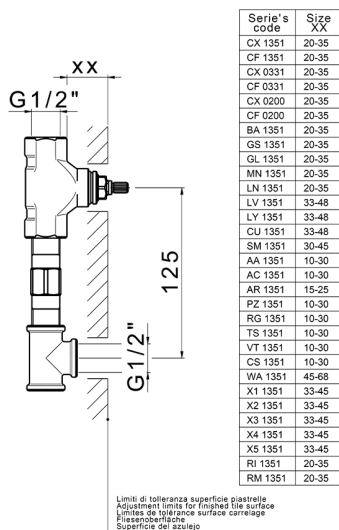


**04** 04 Without finishing

CHARACTERISTICS

Installation **Concealed**

Concealed **1**



2026-06-05