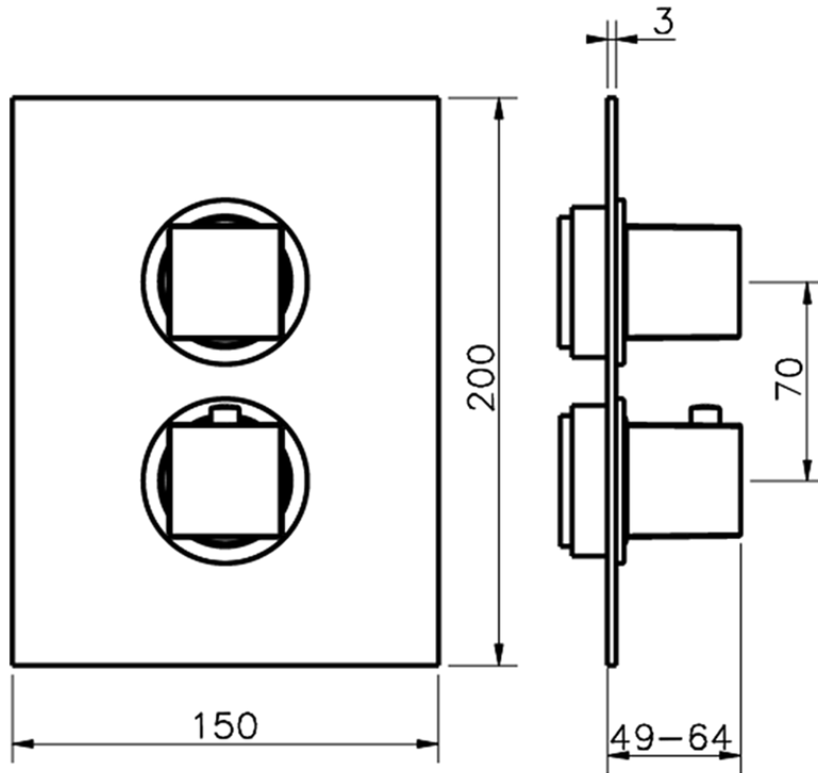
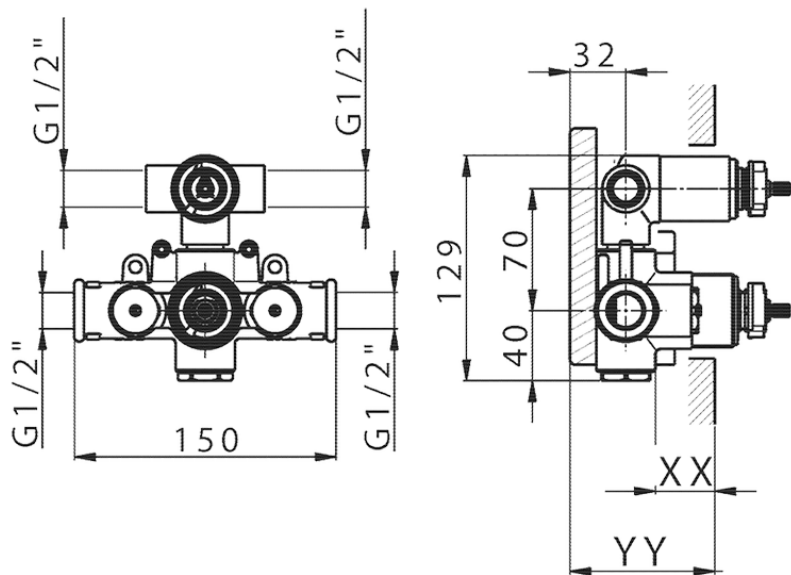


Exposed part for con.thermo.shower valve, 2-outlet NUOVA EGO_NE018100



NE018100

<https://en.huberitalia.com/exposed-part-for-con-thermo-shower-valve-2-outlet-nuova-ego-ne018100>



Piastra/Plate/Plaque/Platte/Placa

2-3mm: XX 25-40 YY 76-91

10 mm: XX 16-31 YY 65-80