

## Single lever 'large' washbasin mixer SOFT\_SF000510



MODEL **SF000510**

Single lever 'large' washbasin mixer, with 1"1/4 automatic pop up waste, G.3/8" stainless steel flexible hoses

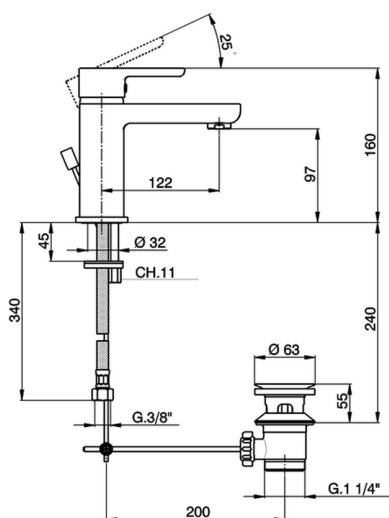
AVAILABLE FINISHINGS



CHARACTERISTICS

Cartridge Spare Parts **ZZ95409000**

**35 mm Cartridge**

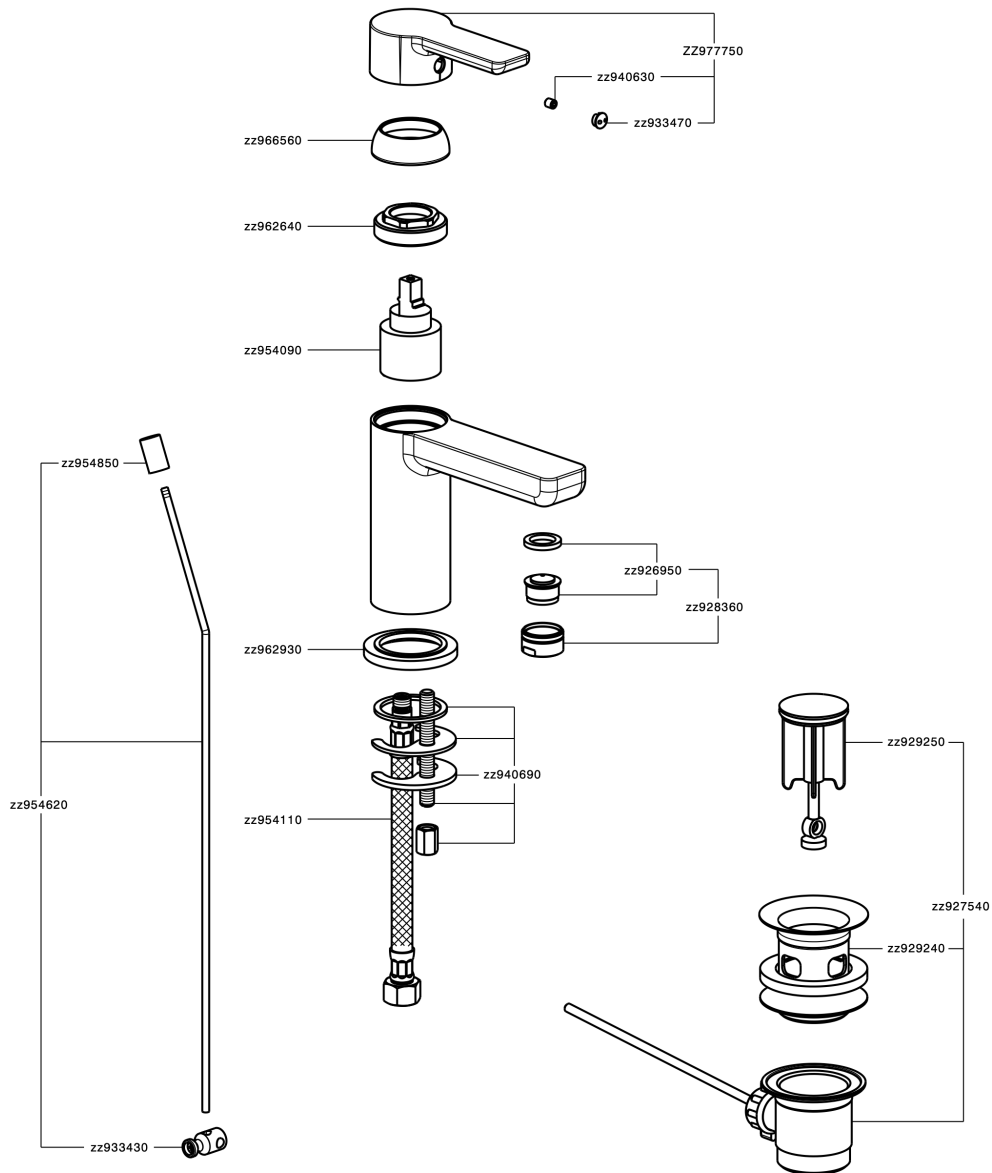


### EcoStop

EcoStop feature limits water flow to approximately 50% of maximum output with one point of resistance on setting. Push slightly past the middle stop only when full water output is required. This will save water up to 50%.



## Single lever 'large' washbasin mixer SOFT\_SF000510



SF000510

<https://en.huberitalia.com/single-lever-large-washbasin-mixer-soft-sf000510>

2024-11-15