

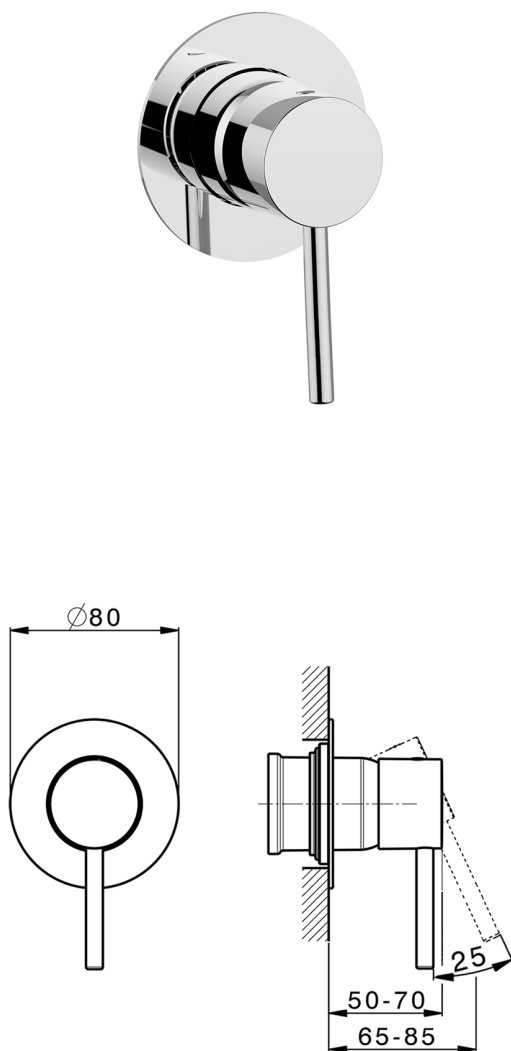
Exposed part for concealed S.L. shower valve NUOVA KIRUNA_K2003000

MODEL **K2003000**

Exposed part for concealed S.L. shower valve, without concealed part, for item ZB005300-ZB005301

AVAILABLE FINISHINGS

-  **21** 21 Chrome
-  **26** 26 Old Copper
-  **2F** 2F Brushed Nickel
-  **2W** 2W Brushed Gold
-  **40** 40 Matt Black
-  **4Q** 4Q Matt White



CHARACTERISTICS

Installation **Concealed**
 Required concealed parts **ZB005301**
ZB005300




Concealed single lever shower mixer CONCEALED_ZB005301

MODEL **ZB005301**

Concealed single lever shower mixer, 1/2" concealed shower, without trim kit, with noise reducers

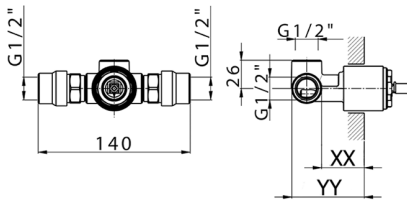


AVAILABLE FINISHINGS

 **04** 04 Without finishing

CHARACTERISTICS

| | |
|------------------------|-------------------|
| Installation | Concealed |
| Cartridge Spare Parts | ZZ94035000 |
| 35 mm Cartridge | |
| Concealed | 1 |



Piastra/Plate/Plaque/Platte/Placa
 2-3mm: XX 27-47 YY 54-74
 10mm: XX 16-40 YY 43-68



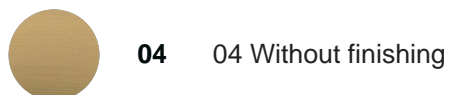
Concealed single lever shower valve CONCEALED_ZB005300

MODEL **ZB005300**

Concealed single lever shower valve, 1/2" Concealed shower mixer, without trim kit

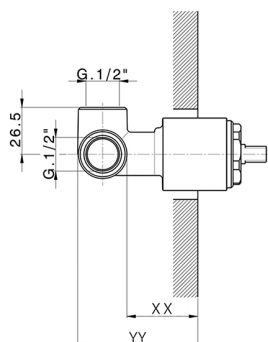


AVAILABLE FINISHINGS



CHARACTERISTICS

| | |
|------------------------|-------------------|
| Installation | Concealed |
| Cartridge Spare Parts | ZZ94035000 |
| 35 mm Cartridge | |
| Concealed | 1 |



Piastra/Plate/Plaque/Platte/Placa
 2-3mm: XX 27-47 YY 54-74
 10mm: XX 16-40 YY 43-68



2024-11-15