

Exposed part for 1-outlet con.thermo.shower valve H2_H2007300



MODEL **H2007300**

Exposed part for 1-outlet thermostatic mixer, with stop valve, without concealed part, for items ZB007301-ZB007361

AVAILABLE FINISHINGS

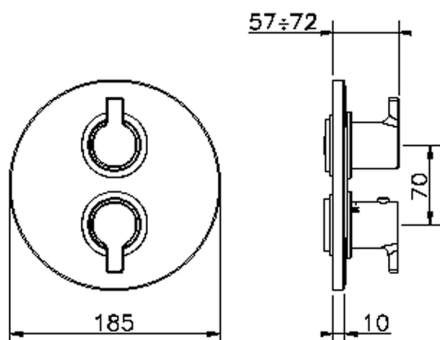


CHARACTERISTICS

Installation **Concealed**

Required concealed parts **ZB007361**

ZB007301

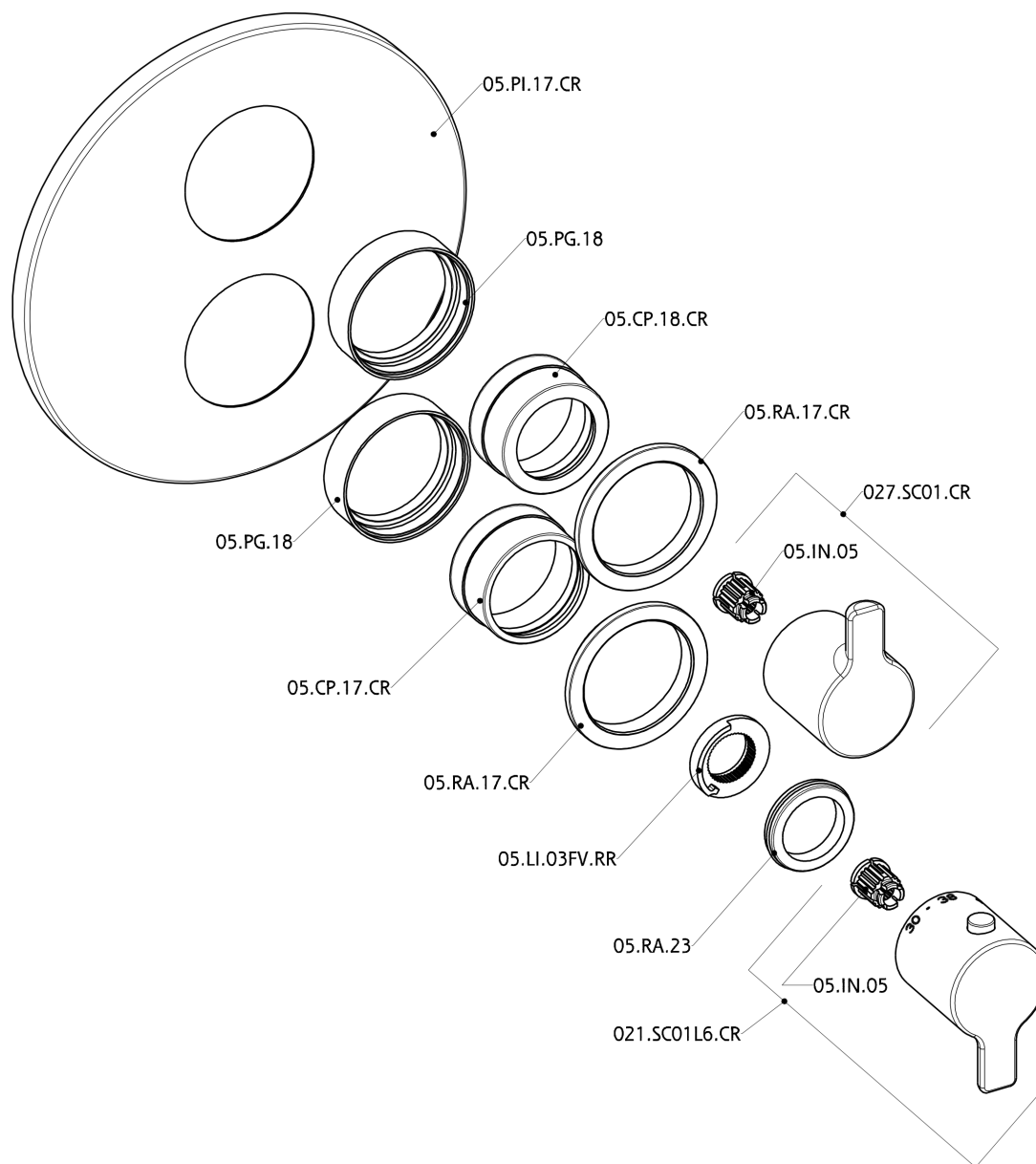


Thermostatic

The Huber thermostatic is your personal water manager, helping you to handle, control and save water and energy.



Exposed part for 1-outlet con.thermo.shower valve H2_H2007300



H2007300

<https://en.huberitalia.com/exposed-part-for-1-outlet-con-thermo-shower-valve-h2-h2007300>

1-outlet Concealed thermostatic shower valve CONCEALED_ZB007361

MODEL **ZB007361**

1-outlet Concealed thermostatic shower valve, stopvalve with 3/4" outlet, without trim kit

AVAILABLE FINISHINGS

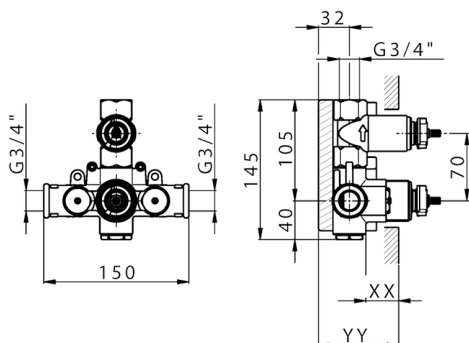


04 04 Without finishing



CHARACTERISTICS

Installation	Concealed
Cartridge Spare Parts	23.51A.HF
HF Thermostatic Valve	
Concealed	1



Piastra/Plate/Plaque/Platte/Placa

2-3mm: XX 25-40 YY 76-91

10 mm: XX 16-31 YY 65-80



Thermostatic

The Huber thermostatic is your personal water manager, helping you to handle, control and save water and energy.

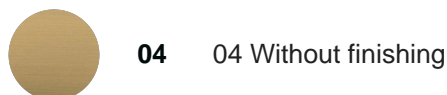


1-outlet Concealed thermostatic shower valve CONCEALED_ZB007301

MODEL **ZB007301**

1-outlet Concealed thermostatic shower valve, with stopvalve, without trim kit

AVAILABLE FINISHINGS



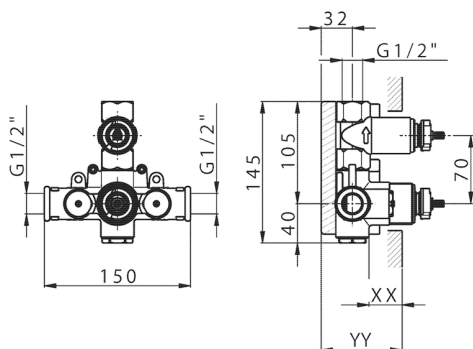
CHARACTERISTICS

Installation **Concealed**

Cartridge Spare Parts **24.04A.PP**

8x20 Plus P Thermostatic Valve

Concealed **1**



Piastra/Plate/Plaque/Platte/Placa

2-3mm: XX 25-40 YY 76-91

10 mm: XX 16-31 YY 65-80



Thermostatic

The Huber thermostatic is your personal water manager, helping you to handle, control and save water and energy.



2026-06-19