

2-holes Sink mixer EVA_EV000600



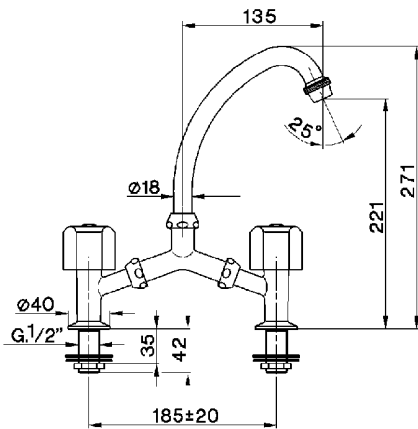
MODEL **EV000600**

2-holes Sink mixer, without automatic pop-up waste, without handles, swivel spout

AVAILABLE FINISHINGS



CHARACTERISTICS



2026-04-08