



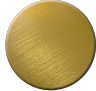
Pillar tap CROISSETTE_CS000900

MODEL **CS000900**

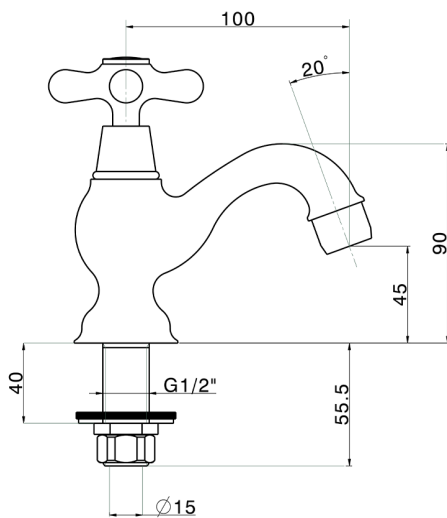
Pillar tap, without automatic pop-up waste



AVAILABLE FINISHINGS

-  **21** 21 Chrome
-  **2G** 2G Antique Gold
-  **2W** 2W Brushed Gold

CHARACTERISTICS



Pillar tap CROISSETTE_CS000900

PL.21 


GH.01 

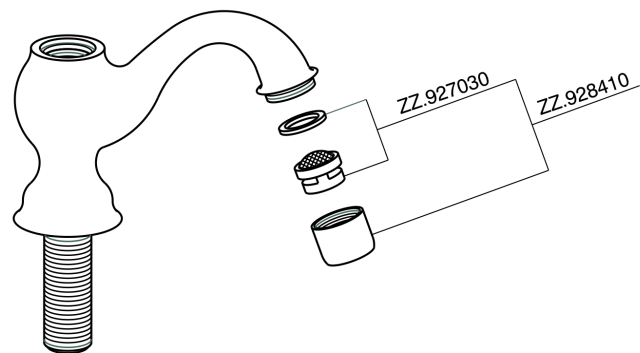
VI.05 


RA.07 



CC.08 


CP.27 


ZZ.929070 



GG.06 

KF.09  DS.02 

DD.05 

CA.23 

CS000900

<https://en.huberitalia.com/pillar-tap-croisette-cs000900>

2026-06-13