

S.L. washbasin mixer- tall version - EnergySave H2_H2003545



MODEL **H2003545**

S.L.washbasin mixer- tall version - EnergySave,without automatic pop-up waste,G.3/8" stainless steel flexible hoses

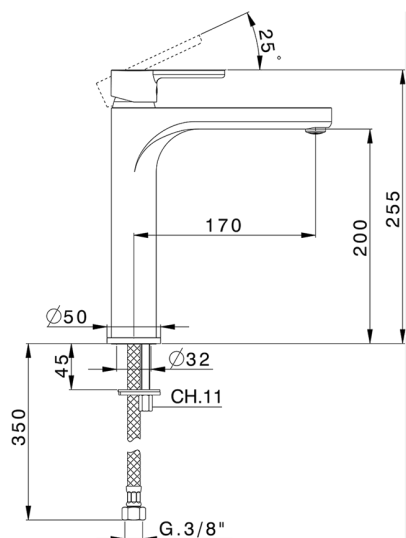
AVAILABLE FINISHINGS



CHARACTERISTICS

Cartridge Spare Parts **ZZ96800000**

35 mm Cartridge



EnergySave

Thanks to the EnergySave device, only cold water will be drawn if the lever is operated in the central position, so that the water heater will not be engaged and no hot water wasted, leading to considerable savings in energy and costs. The temperature can be adjusted by rotating the lever to the left, until the desired temperature is reached.



2024-11-15