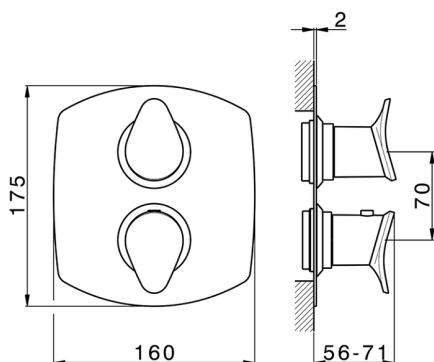


## Exposed part for con.thermo.shower valve, 2-outlet HARLOCK\_HC018100



MODEL **HC018100**

Exposed part for 2-outlet thermostatic mixer, with 2-outlet diverter, without concealed part, for item ZB018100

### AVAILABLE FINISHINGS

-  **21** 21 Chrome
-  **2P** 2P Rose Gold
-  **2Q** 2Q Black Titanium
-  **40** 40 Matt Black
-  **4Q** 4Q Matt White
-  **6T** 6T Chrome/Matt Black

### CHARACTERISTICS

Installation **Concealed**  
 Required concealed parts **ZB018100**

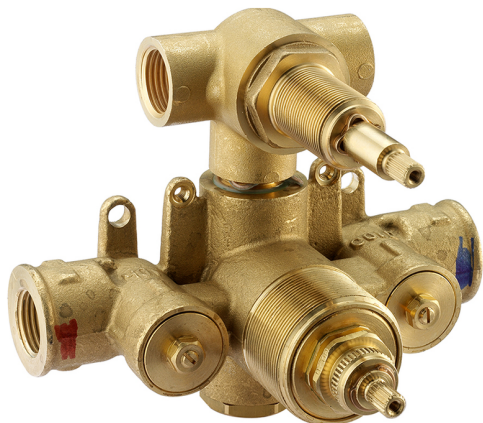


### Thermostatic

The Huber thermostatic is your personal water manager, helping you to handle, control and save water and energy.



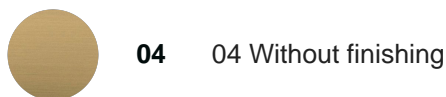
2-outlet Concealed thermostatic shower valve **CONCEALED\_ZB018100**



MODEL **ZB018100**

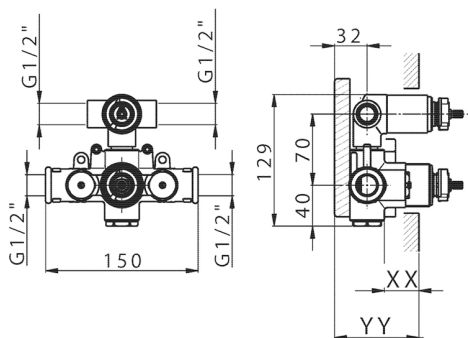
2-outlet Concealed thermostatic mixer, with 1/2" devia stop, without trim kit

AVAILABLE FINISHINGS



CHARACTERISTICS

Installation	<b>Concealed</b>
Cartridge Spare Parts	<b>24.04A.PP</b>
<b>8x20 Plus P Thermostatic Valve</b>	
Concealed	<b>1</b>



Piastra/Plate/Plaque/Platte/Placa

2-3mm: XX 25-40 YY 76-91

10 mm: XX 16-31 YY 65-80



**DeviaStop**

The Huber Devia Stop technology allows to adjust the water flow and to direct it to the selected output point (overhead soaker, hand shower, etc).



**Thermostatic**

The Huber thermostatic is your personal water manager, helping you to handle, control and save water and energy.



2024-12-22