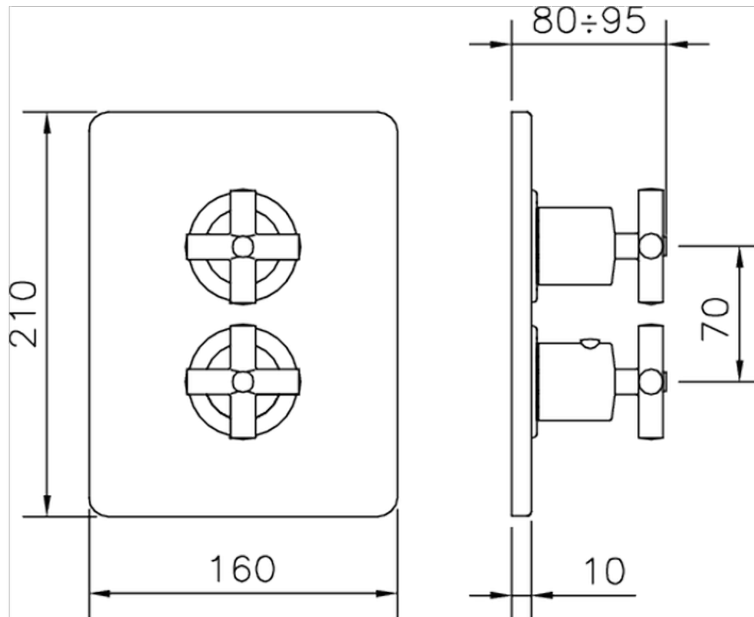


Exposed part for 2-outlet con.thermo.shower valve SUITE_SU018100



SU018100

<https://en.huberitalia.com/exposed-part-for-2-outlet-con-thermo-shower-valve-suite-su018100>



Piastra/Plate/Plaque/Platte/Placa

2-3mm: XX 25-40 YY 76-91

10 mm: XX 16-31 YY 65-80