

Exposed part for 2-outlet con.thermo.shower valve SUITE_SU018100

MODEL **SU018100**

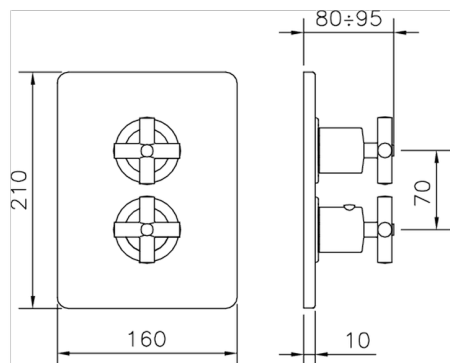
Exposed part for 2-outlet thermostatic mixer, with 2-outlet diverter, without concealed part, for item ZB018101

AVAILABLE FINISHINGS

-  **21** 21 Chrome
-  **40** 40 Matt Black
-  **2F** 2F Brushed Nickel
-  **2W** 2W Brushed Gold

CHARACTERISTICS

Installation **Concealed**
 Required concealed parts **ZB018101**

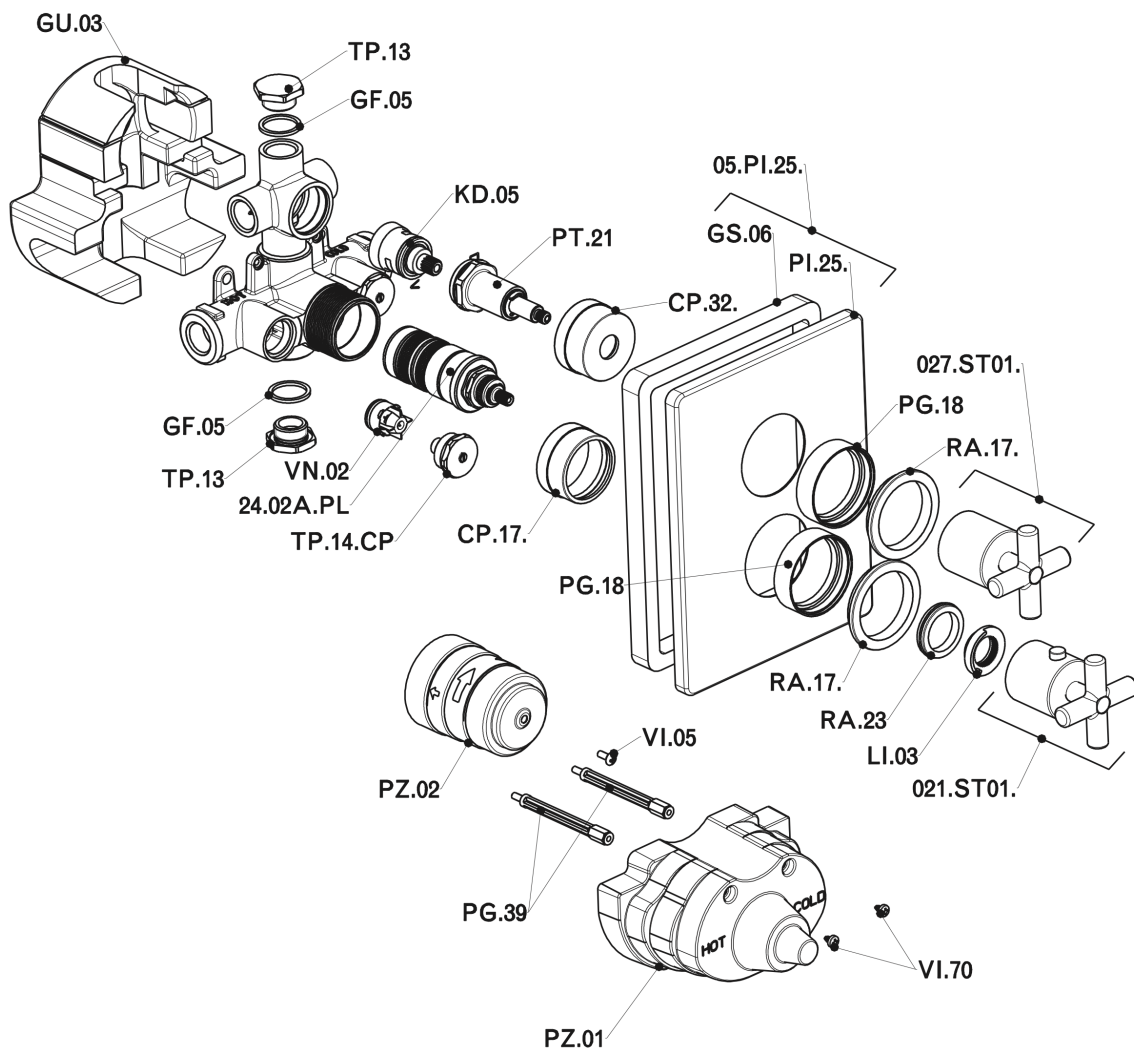


Thermostatic

The Huber thermostatic is your personal water manager, helping you to handle, control and save water and energy.



Exposed part for 2-outlet con.thermo.shower valve SUITE_SU018100



SU018100

<https://en.huberitalia.com/exposed-part-for-2-outlet-con-thermo-shower-valve-suite-su018100>

2-outlet Concealed thermostatic shower valve CONCEALED_ZB018101

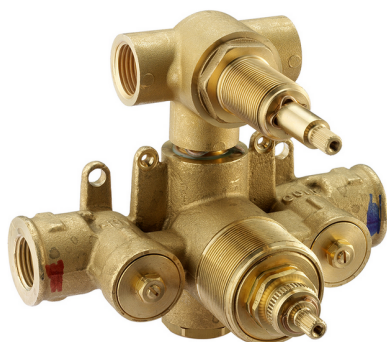
MODEL **ZB018101**

2-outlet Concealed thermostatic mixer, with 2-outlet diverter, without trim kit

AVAILABLE FINISHINGS



04 04 Without finishing



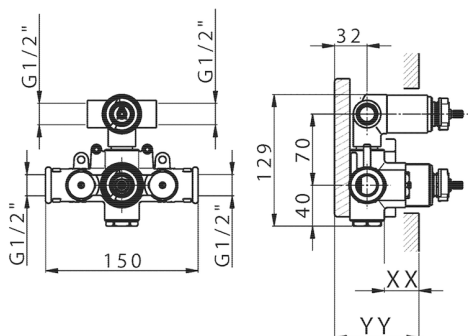
CHARACTERISTICS

Installation **Concealed**

Cartridge Spare Parts **24.04A.PP**

8x20 Plus P Thermostatic Valve

Concealed **1**



Piastra/Plate/Plaque/Platte/Placa

2-3mm: XX 25-40 YY 76-91

10 mm: XX 16-31 YY 65-80



DeviaStop

The Huber Devia Stop technology allows to adjust the water flow and to direct it to the selected output point (overhead soaker, hand shower, etc).



Thermostatic

The Huber thermostatic is your personal water manager, helping you to handle, control and save water and energy.



2026-06-10