


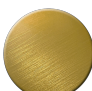




## Exposed part for concealed washbasin mixer NUOVA KIRUNA\_K2013510

MODEL **K2013510**

Exposed part for concealed washbasin mixer, without concealed part, spout L.200 mm, for items ZB033511

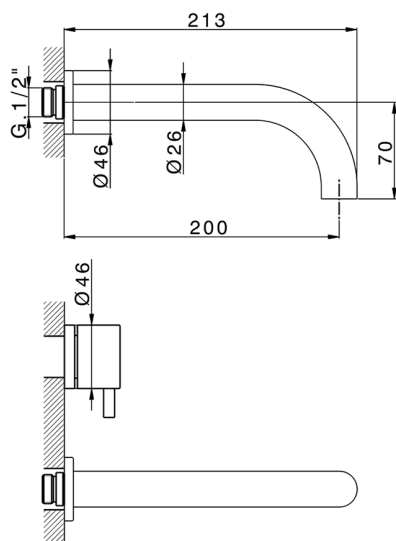
### AVAILABLE FINISHINGS

-  **21** 21 Chrome
-  **26** 26 Old Copper
-  **2F** 2F Brushed Nickel
-  **2W** 2W Brushed Gold
-  **40** 40 Matt Black
-  **4Q** 4Q Matt White

### CHARACTERISTICS

Installation **Concealed**

Required concealed parts **ZB033511**





## Concealed washbasin mixer CONCEALED\_ZB033511

MODEL **ZB033511**

Concealed washbasin mixer, right headvalve - left headvalve

AVAILABLE FINISHINGS

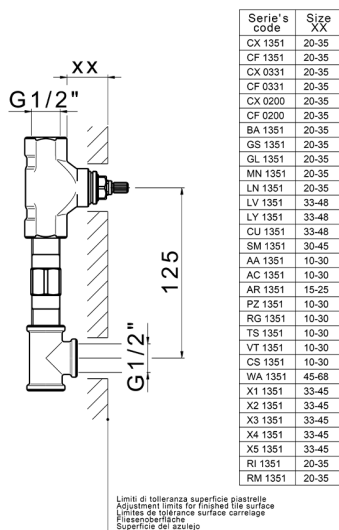


**04** 04 Without finishing

CHARACTERISTICS

Installation **Concealed**

Concealed **1**



2026-06-06