

Exposed part for single lever washbasin valve H2_H2005510

MODEL **H2005510**

Exposed part for single lever washbasin valve, without concealed part, spout L. 150 mm, for item Easy-Box ZB002450 and art. ZB025510



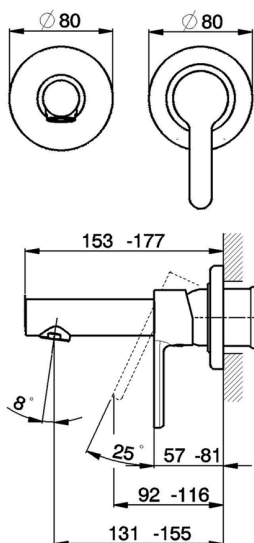
AVAILABLE FINISHINGS



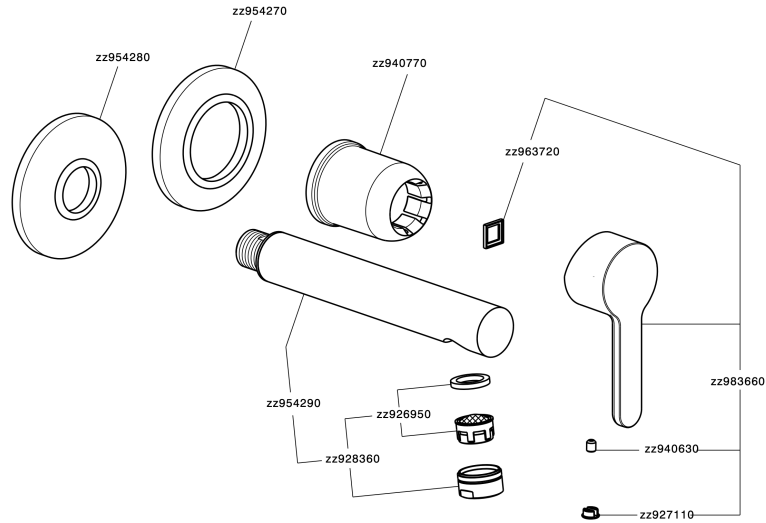
CHARACTERISTICS

Installation **Concealed**

Required concealed parts **ZB002450**



Exposed part for single lever washbasin valve H2_H2005510



H2005510

<https://en.huberitalia.com/exposed-part-for-single-lever-washbasin-valve-h2-h2005510>

Concealed single lever washbasin mixer Easy-Box CONCEALED_ZB002450

MODEL **ZB002450**

Concealed single lever washbasin mixer
Easy-Box, with protection guard box, without trim kit

AVAILABLE FINISHINGS



CHARACTERISTICS

Concealed **1**
Cartridge Spare Parts **ZZ95409000**
35 mm Cartridge



Piastra/Plate/Plaque/Platte/Placa

2-3mm: XX 56-76

10mm: XX 48-68



EcoStop

EcoStop feature limits water flow to approximately 50% of maximum output with one point of resistance on setting. Push slightly past the middle stop only when full water output is required. This will save water up to 50%.



2025-01-15