




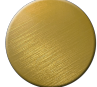
## Pillar tap SUITE\_SU000900

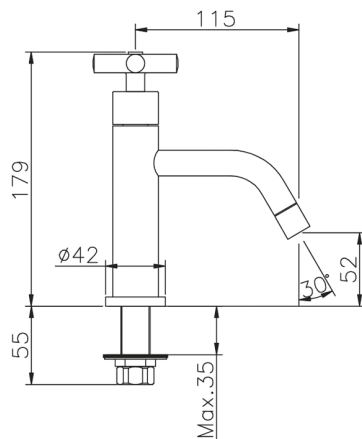


MODEL **SU000900**

Pillar tap, without waste

### AVAILABLE FINISHINGS

-  **21** 21 Chrome
-  **40** 40 Matt Black
-  **2F** 2F Brushed Nickel
-  **2W** 2W Brushed Gold



### CHARACTERISTICS



2026-06-27