

## G.1" Concealed rapid flow valve COMPONENTS\_ZB002711

MODEL **ZB002711**

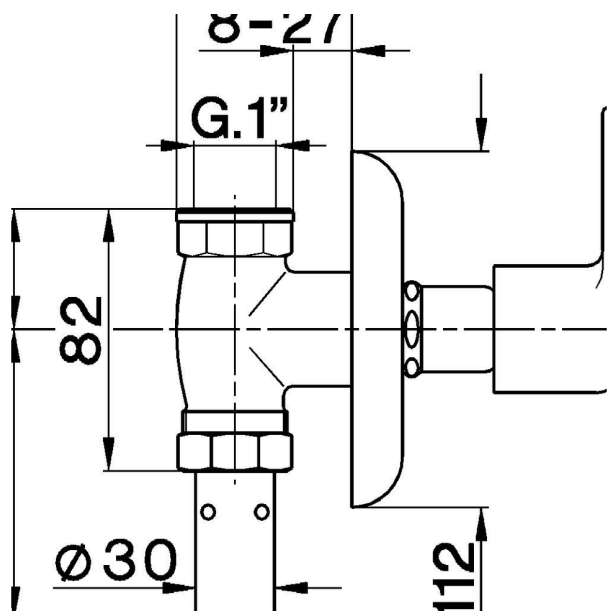
G.1" Concealed rapid flow valve

AVAILABLE FINISHINGS



CHARACTERISTICS

Installation **Concealed**



2024-11-15