

Exposed part for single lever washbasin valve H2_H2005512

MODEL **H2005512**

Exposed part for single lever washbasin valve, without concealed part, spout L.250 mm, for item Easy-Box ZB002450 and art.ZB025510

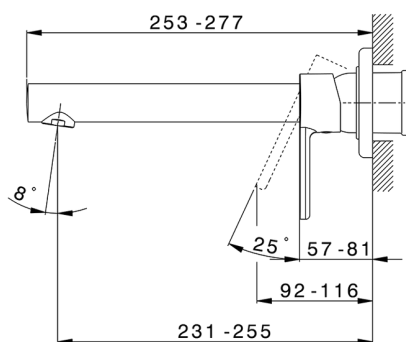
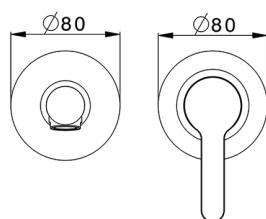
AVAILABLE FINISHINGS



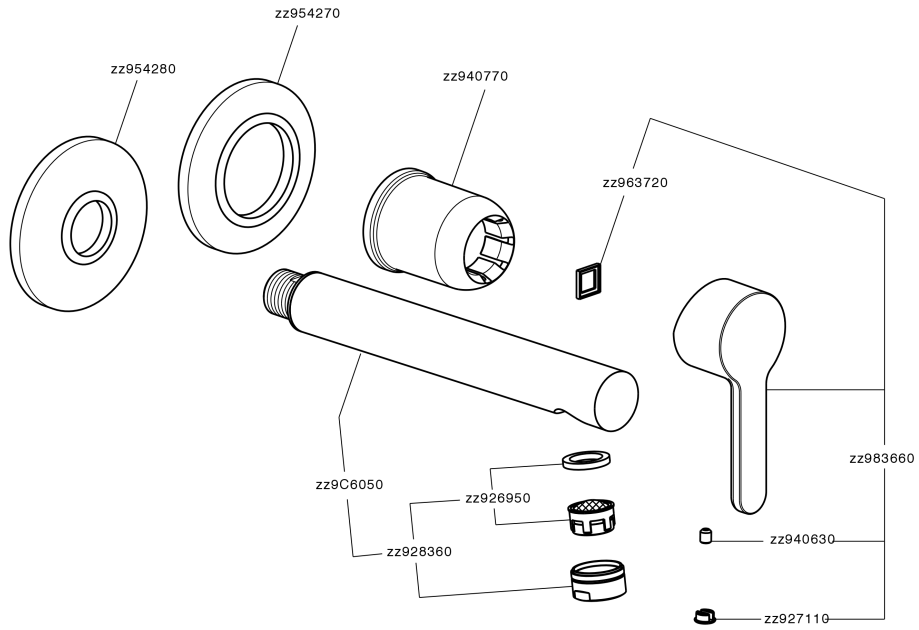
CHARACTERISTICS

Installation **Concealed**

Required concealed parts **ZB002450**



Exposed part for single lever washbasin valve H2_H2005512



H2005512

<https://en.huberitalia.com/exposed-part-for-single-lever-washbasin-valve-h2-h2005512>

Concealed single lever washbasin mixer Easy-Box CONCEALED_ZB002450

MODEL **ZB002450**

Concealed single lever washbasin mixer
Easy-Box, with protection guard box, without trim kit

AVAILABLE FINISHINGS



CHARACTERISTICS

Installation	Concealed
Cartridge Spare Parts	ZZ95409000
35 mm Cartridge	
Concealed	1



Piastra/Plate/Plaque/Platte/Placa

2-3mm: XX 56-76

10mm: XX 48-68



DeviaStop

The Huber Devia Stop technology allows to adjust the water flow and to direct it to the selected output point (overhead soaker, hand shower, etc).



2026-04-08