

G.1" Concealed rapid flow valve COMPONENTS_ZB002711

MODEL **ZB002711**

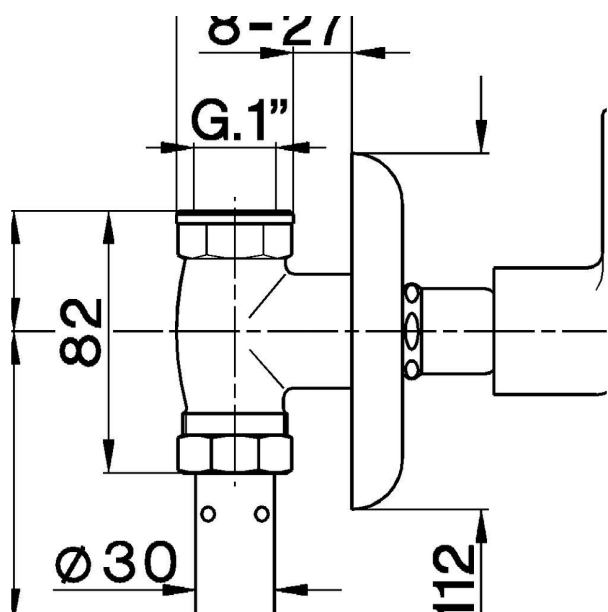
G.1" Concealed rapid flow valve

AVAILABLE FINISHINGS



CHARACTERISTICS

Installation **Concealed**



2026-04-05