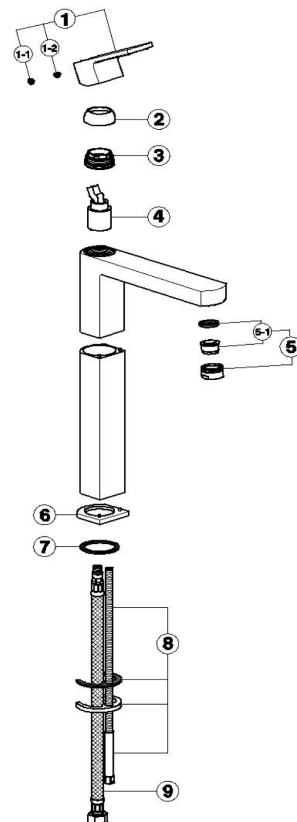
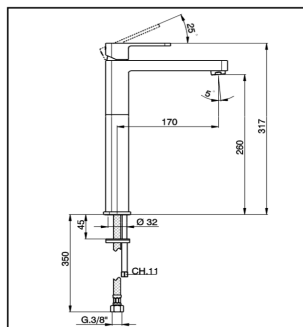


## Single lever tall washbasin mixer DADO\_DD003540

### DD 00354 0



NR	DESCRIZIONE DESCRIPTION DESCRIPCION BESCHREIBUNG DESCRIPCION	N.CODICE NR.CODE CODE NO. WERSKNR. N.CÓDIGO	NR	DESCRIZIONE DESCRIPTION DESCRIPCION BESCHREIBUNG DESCRIPCION	N.CODICE NR.CODE CODE NO. WERSKNR. N.CÓDIGO	NR	DESCRIZIONE DESCRIPTION DESCRIPCION BESCHREIBUNG DESCRIPCION	N.CODICE NR.CODE CODE NO. WERSKNR. N.CÓDIGO
1	Leva monocomando "DD" Lever "DD" Hebel "DD" Palanca monomando "DD"	ZZ955930	5	Aeratore M24x1 IA Cascade Mousseur M24x1 IA Cascade Mousseur M24x1 IA Cascade Perlator M24x1 IA Cascade Aireador M24x1 IA Cascade	ZZ944150			
1-1	Placchetta maniglia LS Plaque cache - vis crois LS Cap for handle LS Abdeckkappe LS Griff Plaquita maneta LS	ZZ933710	5-1	Cartuccia per aeratore M.24x1 Cascade Cartouche pour mousseur M.24x1 Cascade Mousseur cartridge M.24x1 Cascade Kartusche fuer Perlator M.24x1 Cascade Cartucho para aireador M.24x1 Cascade	ZZ933990			
1-2	Grano punta coppa inox M.5x6 Vis speciale inox M.5x6 Screw-stainless steel M.5x6 Madenschraube M.5x6 Clavija con punta copa acero inox M.5x6	ZZ940630	6	Basetta monocomando "DD" Bague "DD" Assembling ring "DD" Basis "DD" Base monomando lavabo "DD"	ZZ955230			
2	Copricartuccia monocomando Couvre-cartouche Escutcheon cartridge Abdeckkappe Cubre-cartucho monomando Calotta bloccaggio cartuccia Ecrou pour cartouche	ZZ955210	7	Guarnizione 42x35x2 Joint 42x35x2 Gasket 42x35x2 Dichtung 42x35x2 Junta 42x35x2	ZZ955240			
3	Nut for mixing valve Mutter fuer Kartusche Casquete de fijación cartucho	ZZ955220	8	Set installazione Set installation Installation set single lever Befestigungsset Juego de instalación monomando	ZZ954250			
4	Cartuccia monocomando Cartouche mitigeurs Mixing valve Kartusche Cartucho monomando	ZZ942400	9	Flex M. 10x1 3/8" F L.610 Flex M. 10x1 3/8" F L.610 Flex M. 10x1 3/8" F L.610 Anschlusschlauch M.10x1 3/8" F L.610 Flexo M. 10x1 3/8" H L.610	ZZ955250			

DD003540

<https://en.huberitalia.com/single-lever-tall-washbasin-mixer-dado-dd003540>

2025-04-08