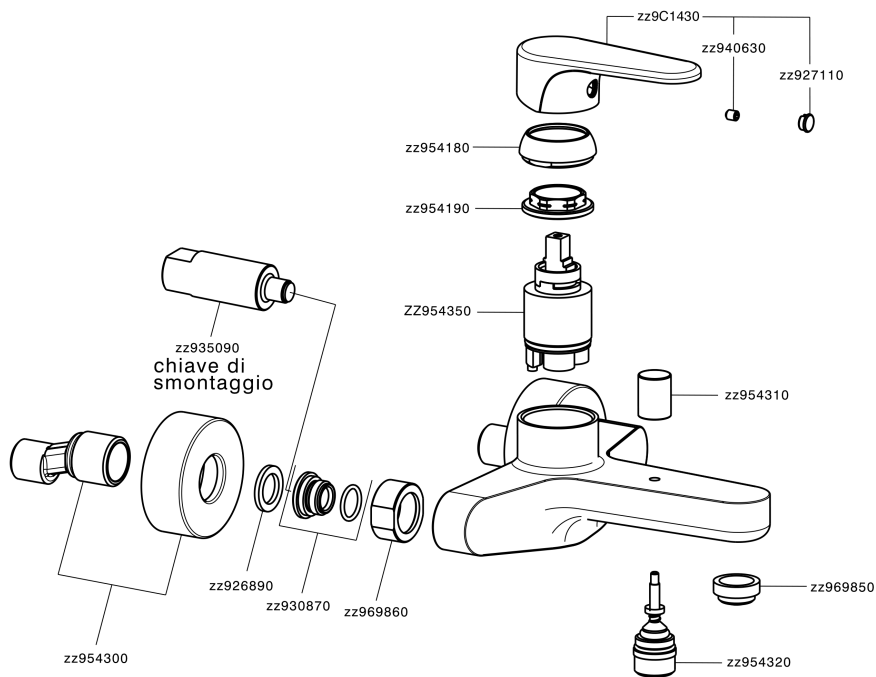


Single lever bath mixer H3_AH000130



AH000130

<https://en.huberitalia.com/single-lever-bath-mixer-h3-ah000130>

2026-06-26