

Exposed part for concealed S.L. shower valve SOFT_SF003000



MODEL **SF003000**

Exposed part for concealed S.L. shower valve, without concealed part, For item ZB005300

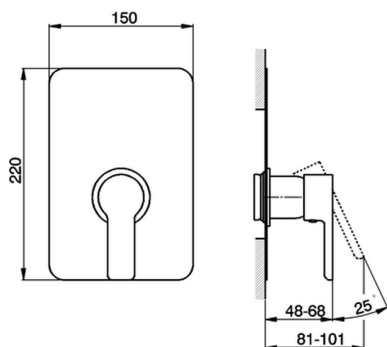
AVAILABLE FINISHINGS



CHARACTERISTICS

Installation **Concealed**

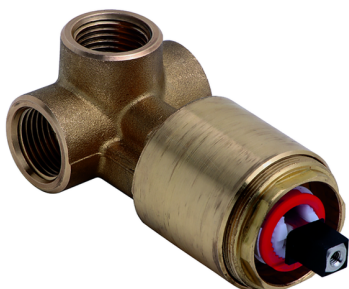
Required concealed parts **ZB005300**



Concealed single lever shower valve CONCEALED_ZB005300

MODEL **ZB005300**

Concealed single lever shower valve, 1/2" Concealed shower mixer, without trim kit



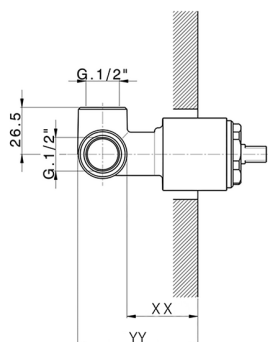
AVAILABLE FINISHINGS



04 04 Without finishing

CHARACTERISTICS

Installation	Concealed
Cartridge Spare Parts	ZZ94035000
35 mm Cartridge	
Concealed	1



Piastra/Plate/Plaque/Platte/Placa
 2-3mm: XX 27-47 YY 54-74
 10mm: XX 16-40 YY 43-68



2026-06-27