

## Exposed part for Single Lever One Box Valve H2\_H20BM010

MODEL **H20BM010**

Exposed part for Single Lever One Box Valve, 1 Outlet, Minimum depth of installation: 67 mm, without concealed part, for items ZB00B030-ZB00B031

### AVAILABLE FINISHINGS



### CHARACTERISTICS

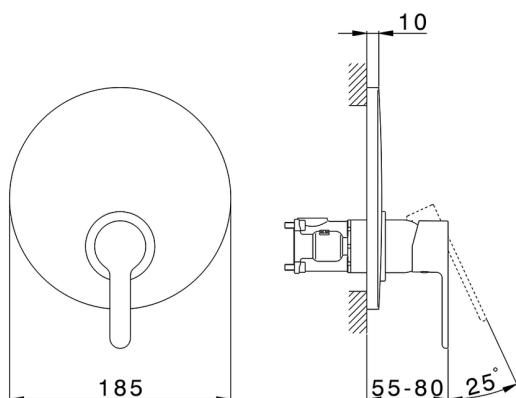
Cartridge Spare Parts **ZZ97179000**

**35 mm Cartridge**

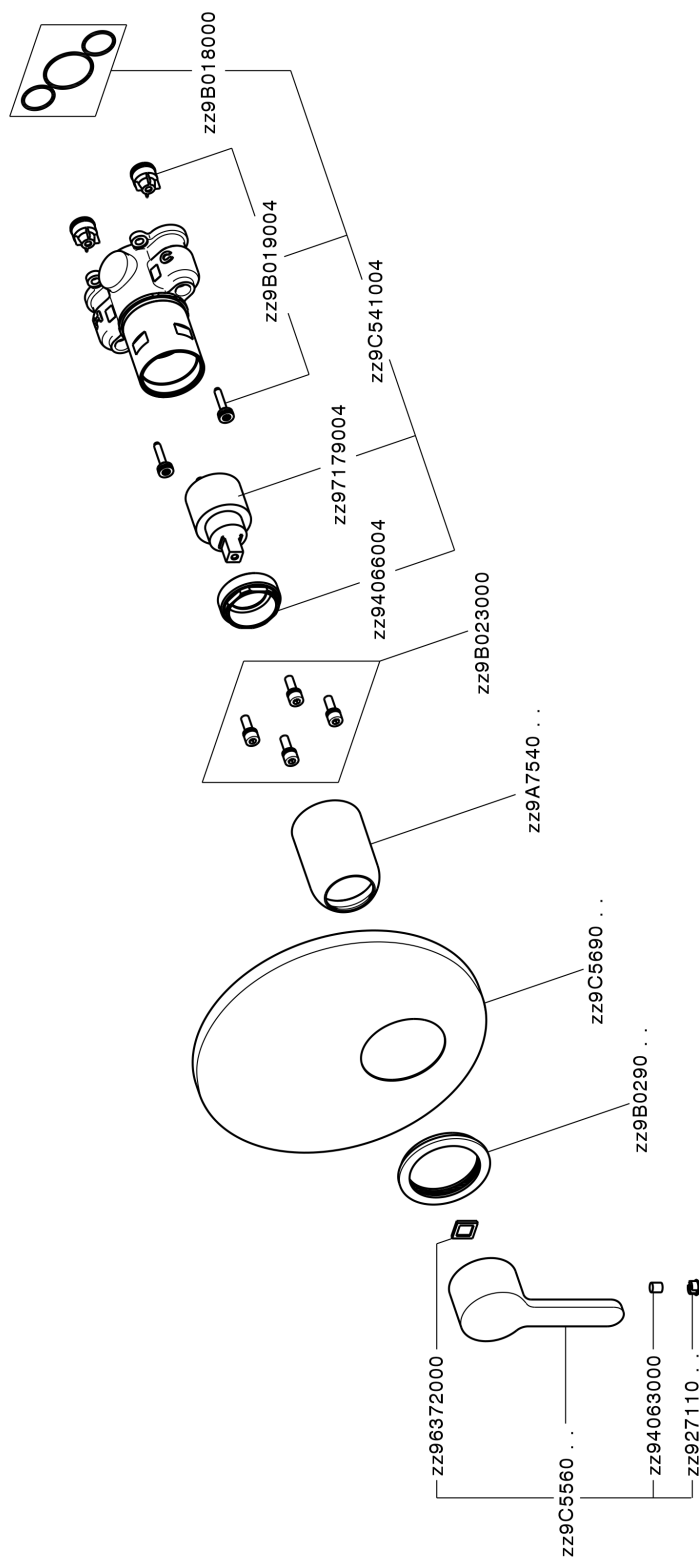
Installation **Concealed**

Required concealed parts **ZB00B031**

**ZB00B030**



## Exposed part for Single Lever One Box Valve H2\_H20BM010



H20BM010

<https://en.huberitalia.com/exposed-part-for-single-lever-one-box-valve-h2-h20bm010>

## One Box Universal Concealed Part ONE BOX\_ZB00B031



MODEL **ZB00B031**

One Box Universal Concealed Part, for 1 or 2 or 3 outlet thermostatic or single lever, without trim kit, with noise reducers, with sealing gasket

### AVAILABLE FINISHINGS



### CHARACTERISTICS

Concealed	<b>1</b>
Installation	<b>Concealed</b>



### Thermostatic

The Huber thermostatic is your personal water manager, helping you to handle, control and save water and energy.



## One Box Universal Concealed Part ONE BOX\_ZB00B030

MODEL **ZB00B030**

One Box Universal Concealed Part, for 1 or 2 or 3 outlet thermostatic or single lever, without trim kit, without noise reducers, with sealing gasket

AVAILABLE FINISHINGS

 **04** 04 Without finishing

CHARACTERISTICS

Concealed **1**  
Installation **Concealed**



### Thermostatic

The Huber thermostatic is your personal water manager, helping you to handle, control and save water and energy.



2026-06-06