

Exposed simple tap EVA_EV001430

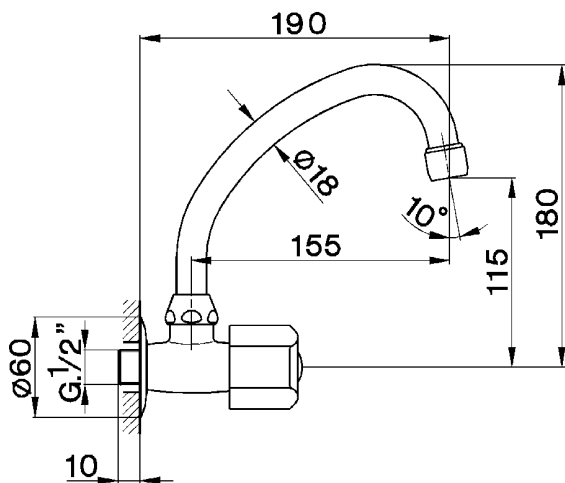
MODEL **EV001430**

Exposed simple tap, without handle

AVAILABLE FINISHINGS



CHARACTERISTICS



2024-11-15