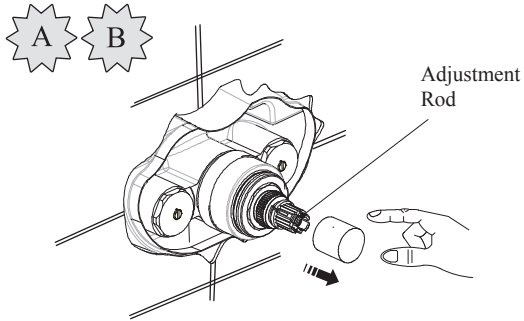
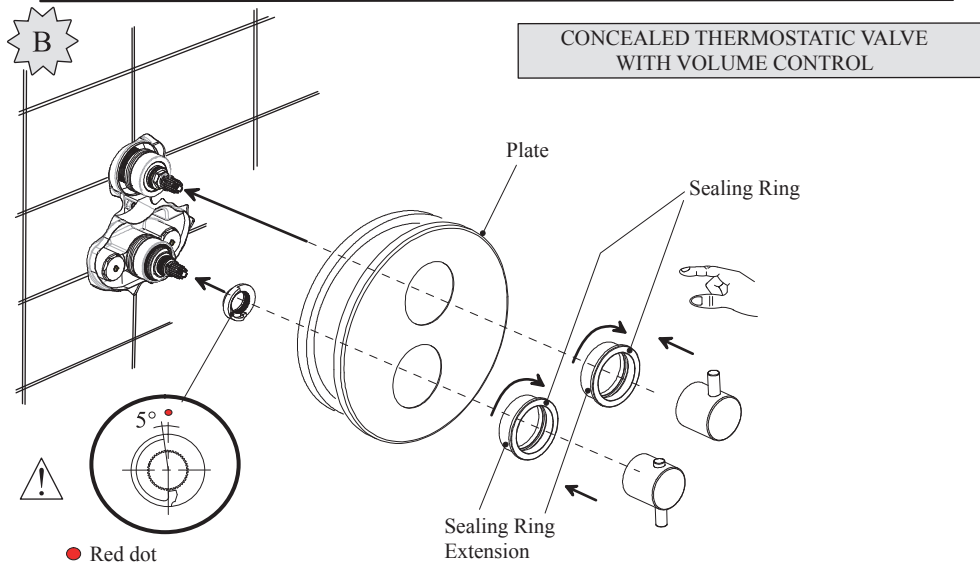
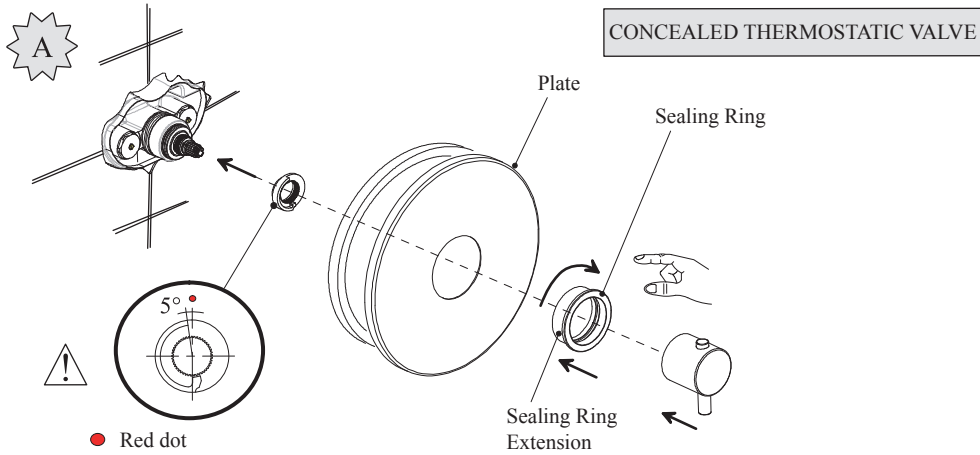


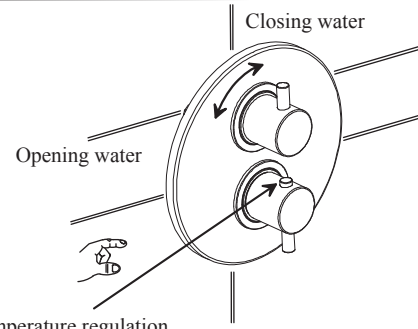
1 - Trim Kit Installation



Remove the protective plastic cover without rotating the adjustment rod



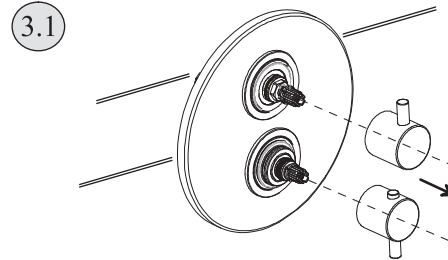
2 - Functioning



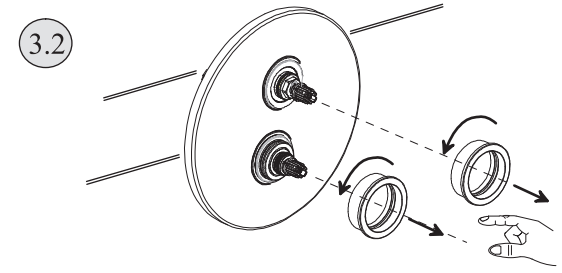
Mixed water temperature regulation

The button of the knob represents the temperature limit set by factory at 38°. This limit could be exceeded by pushing the button and turning counterclockwise the handle.
To reduce the temperature of the mixed water turning the handle clockwise.

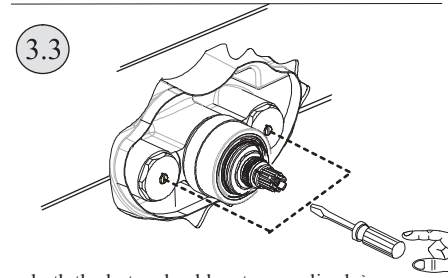
3 - Removal and maintenance of the Cartridge



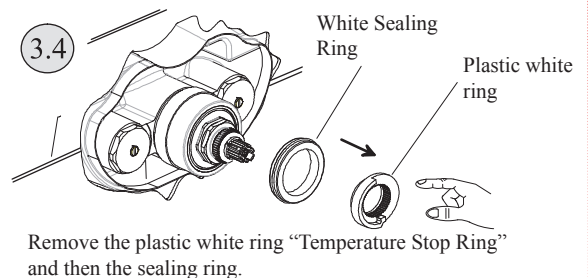
Remove the handles by pulling firmly as shown in the drawing.



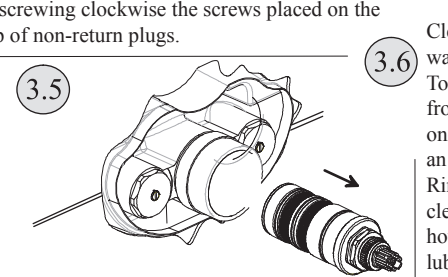
Unscrew counterclockwise the 2 sealing rings and remove the plate.



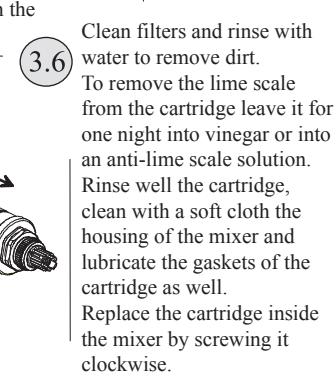
Close both the hot and cold water supplies by unscrewing clockwise the screws placed on the top of non-return plugs.



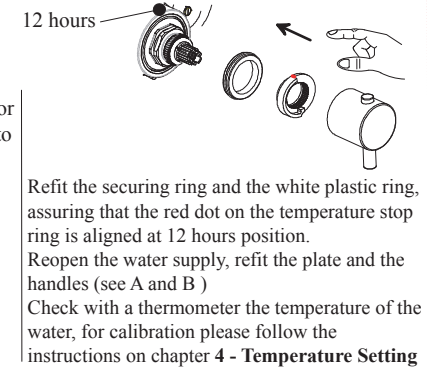
Remove the plastic white ring "Temperature Stop Ring" and then the sealing ring.



Using a wrench unscrew the cartridge and remove it from the body of the mixer



Clean filters and rinse with water to remove dirt.
To remove the lime scale from the cartridge leave it for one night into vinegar or into an anti-lime scale solution.
Rinse well the cartridge, clean with a soft cloth the housing of the mixer and lubricate the gaskets of the cartridge as well.
Replace the cartridge inside the mixer by screwing it clockwise.



Refit the securing ring and the white plastic ring, assuring that the red dot on the temperature stop ring is aligned at 12 hours position.
Reopen the water supply, refit the plate and the handles (see A and B)
Check with a thermometer the temperature of the water, for calibration please follow the instructions on chapter 4 - Temperature Setting

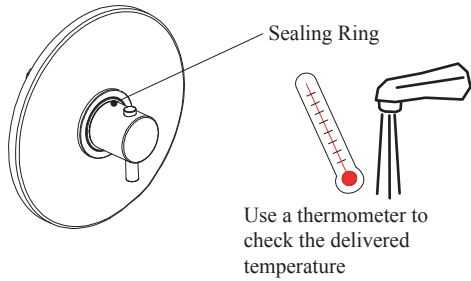
4 - Temperature Setting (only if necessary)

This valve has been set in factory on a balanced supply pressure and hot water supply at 65°C.
If your own operating conditions are different from the above, the temperature of the mixed water may change from the setting.

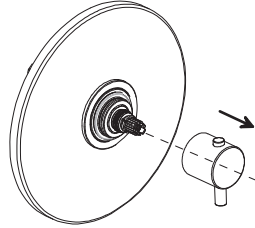
If the difference is too big, it is possible to re-set as necessary to suit site conditions.

Follow carefully the instructions:

- 4.1 Select 38°C temperature and check with a thermometer the temperature delivered by the mixer. If the difference between the delivered temperature and the selected one is unacceptable, proceed to point 4.2

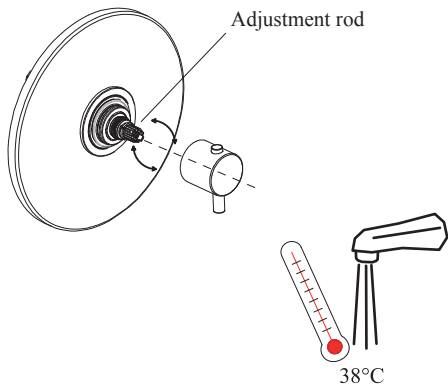


- 4.2 Remove the temperature control knob by pulling away firmly from the shower valve as shown in the drawing.



- 4.4 The mixer is now calibrated in order to suit site conditions. Push the button and refit the handle on the adjustment rod.

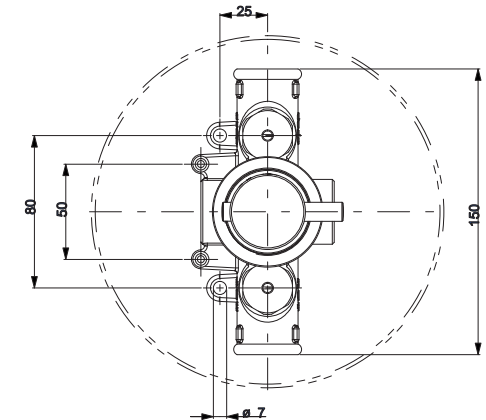
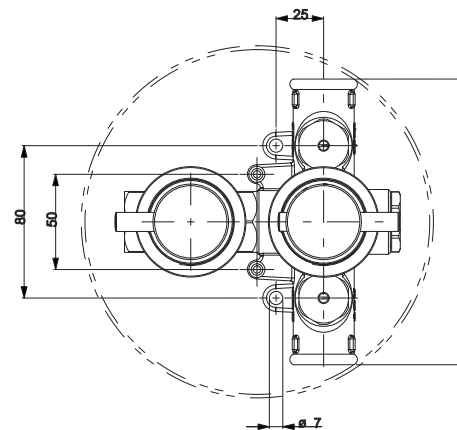
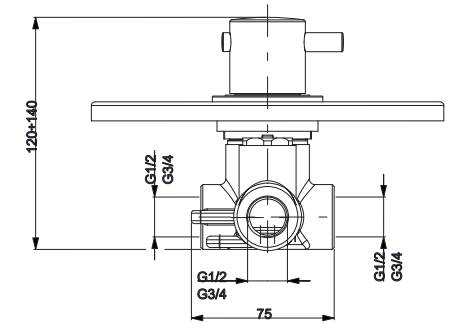
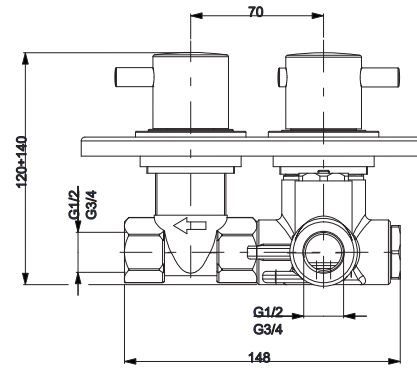
- 4.3 Temporarily refit the control knob and using a thermometer it is possible to increase or reduce the mixed water outlet temperature until 38°C is re-established.



Ensure that the red dot on the temperature stop ring must align with the temperature position symbol (38) on the temperature control knob.

TRIM KIT FOR THERMOSTATIC CONCEALED VALVE

INSTALLATION AND MAINTENANCE INSTRUCTIONS



Surface cleaning

Clean the surface of the mixer with water and soap only and dry it with a soft cloth.
Any other cleaning products may damage the surface and invalidate the guarantee.