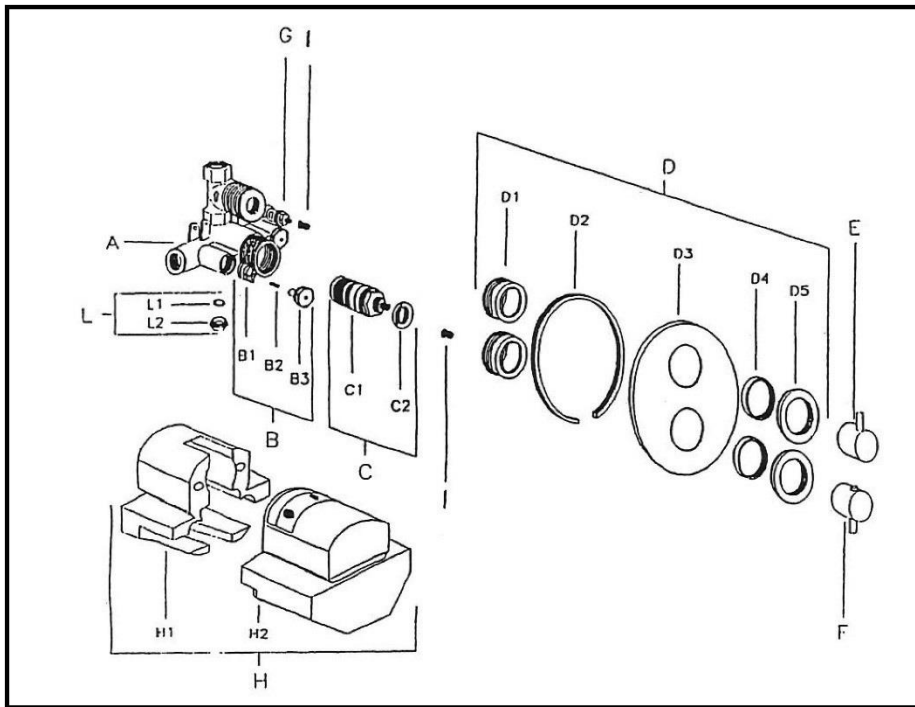


CONCEALED THERMOSTATIC VALVE



HOT WATER SUPPLY

This valve is suitable for any water heating system. In case of instantaneous heaters, hot water flow has at least to meet the minimum flow required by heater to start and go on burning (specified by heater manufacturer).

OPERATING SPECIFICATIONS

Hot Water Supply Temperature:

maximum: 85° C
 minimum: 10° C higher than maximum required mixed temperature
 advisable: 65° C
 Minimum difference between hot and mixed temperature is 10° C.

Operating Pressure

maximum: 5 bar
 minimum: 0.1 bar
 recommended: 2 bar

Operating pressures (on hot and cold line) should *be* kept as balanced as possible, in order to assure the maximum efficiency.

When pressure is higher than 5 bar a pressure reducer is required, to be fitted before valve.

INSTALLATION

- Rinse pipeworks carefully for a long while before fitting the valve: do not allow dirt, metal particles, shavings to block filters fitted on inlets.
 - In that case you will be obliged to remove and clean dirty filters.
 - During and after installation, protect outer parts by leaving the polystyrene protective carton on the valve, to avoid any damage to plated surfaces.
 - Connect hot supply to left inlet of the valve (part marked Hot with red dot) and cold supply to right inlet (part marked Cold with blue dot).
 - Make all connections to the valve.
- The valve is provided with an additional tapping at the base of the valve, for jet or bath filler spout.
- When using the bottom outlet, a volume control is required.
- Fit a stop valve between valve outlet and delivery point.
- The valve is supplied with additional tapping sealed with a removable plug.

TEMPERATURE SETTING (to be done only-when necessary)

The valve has been set in factory under balanced pressures and hot water supply at 65° C. When your own operating conditions are too different from the above, temperature of the mixed water may vary from the setting. When difference is too great you can adjust the calibration of the valve to suit the individual requirements of the installation.

MAINTAINANCE SUGGESTIONS

In ease of maintainance operation, you can isolate the Valve from the main water network.

Non-return valves 131 can be used as isolating valves to shut-on water supply.

Just screw the screw in B3 on both inlets.

To clean the thermostatic cartridge: C1 just rinse with water to remove dirt, then leave to soak in vinegar or a denoting agent. Then rinse again with water.

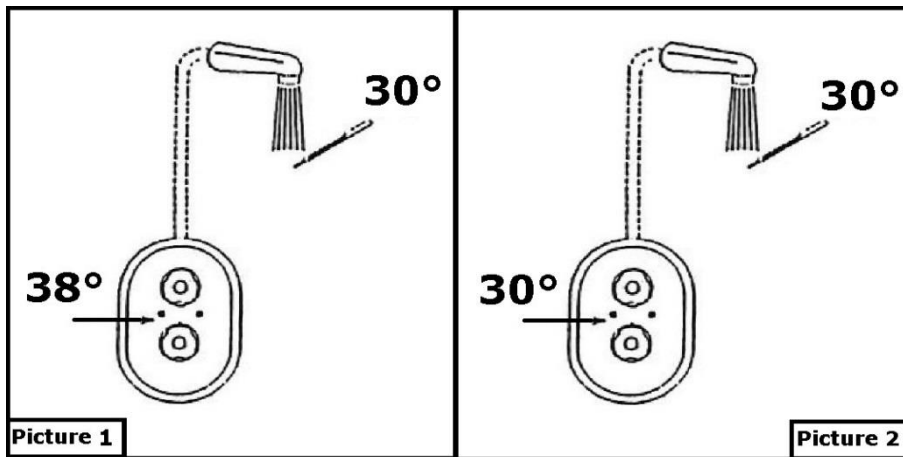
Before reassembling the cartridge, clean the housing with a wet cloth and grease O-rings on the cartridge.

PARTS LIST:

A	THERMOSTATIC HOUSING
B	NON RETURN VALVE ASSEMBLY
B1	CHECK VALVE
B2	SCREW
B3	PLUG FOR CHECK VALVE HOUSING
C	THERMOSTATIC CARTRIDGE ASSEMBLY
C1	THERMOSTATIC CARTRIDGE
C2	38° C TEMPERATURE STOP RING
D	COMPLETE COVER MATE
D1	DRASS RINGS
D2	SPONGE GASKET
D3	COVER PLATE
D4	BRASS RINGS
D5	FIXING BRASS RINGS
E	VOL.CONTROL HANDLEASSEMBLY
F	THERMO HANDLE ASSEMBLY
G	CERAMIC DISK HEADWORK
H	COMPLETE TEMPLATE
H1	IN-WALL TEMPLATE
H2	OUTER TEMPLATE
I	PLASTIC MILLOUT
L	PLUG FOR LOWER OUTLET
L1	GASKET
L2	PLUG

Follow carefully these instructions:

1. Select 38° C temperature or the arrow on the handle, and check with a thermometer temperature of water being delivered to the shower head.
2. When finding unacceptable difference between selected temperature and the one really supplied by valve (picture 1), proceed to reset the calibration as follows:
3. Without moving the handle, remove the screw cover on the top of it, then unscrew the fixing screw.
4. Now remove the handle. Then, while keeping pressed the button, replace it so that the temperature you have just measured corresponds to the red dot on the white plastic ring of the Valve (picture 2)
5. Valve setting is now calibrated according to your own individual requirements.
6. Fix the handle with the screw and put on the screw cover.



MAINTENANCE

The thermostatic valve is provided with a double filtering facility. Filters are fitted both on water inlets and on thermostatic cartridge.

According to water quality and composition, filters may become dirty, causing reduced flow and inefficient working of the valve.

To clean filters, you have to remove the cartridge from the housing.

REMOVAL AND MAINTENANCE OF CARTRIDGE

Please refer to picture on the back and follow these instructions

1. Shut off water supply to both inlets, by tightening both screws [B3] operating as isolating valve.
2. Remove the handle [F] (pull out the handle)
3. Unscrew and remove thermostatic cartridge [C1].
4. Clean filters and rinse with water to remove dirt, then leave to soak in vinegar or a descaling agent.
5. Before reassembling cartridge, clean its housing with a wet cloth and grease O-rings on cartridge.
6. Reassemble cartridge, then replace the white planting ring so that the red mark on it corresponds to the dot on the body valve or at the midday clock position.
7. Turn on water supply, by loosing both screws [B3].
8. Check by a thermometer which is the temperature supplied by mixer
9. Replace the control handle so that the temperature you have just measured corresponds to the red dot on the plastic ring on the cartridge (midday clock position).
10. Fix the handle (Fit in the handle on the plastic pullout [1]).

SURFACE CLEANING

For surface cleaning of mixer use water and soap only and dry with a soft cloth.

Any other cleaning product may damage the surface.

NON-COMPLIANCE WITH THE ABOVE INSTRUCTIONS WILL RENDER THE GUARANTEE INVALID

GUARANTEE

This product is covered by guarantee for 1 year from date of purchase. Chrome plating is covered by guarantee for five years.

The guarantee does not cover faults or damaged caused by bad installation and/or maintenance, ordinary wear and tear, water composition i.e.:

- Incorrect installation, inversion of supply pipes;
- Pressures or temperatures exceeding above limits;
- Improper manipulation, tampering, bad or missed maintenance;
- Foreign bodies and/or scale brought by water, ice, ordinary wear, water composition;
- Use of improper cleaning or maintenance products or substances.

NON-COMPLIANCE WITH THE ABOVE INSTRUCTIONS WILL RENDER THE GUARANTEE INVALID